

# AR Archer Area Light

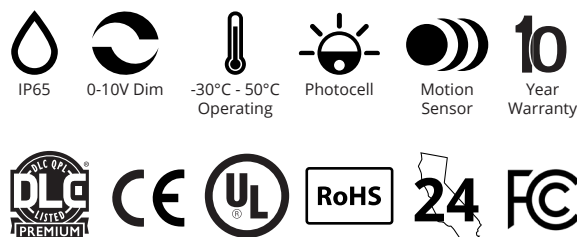


With high efficacy and precision-engineered polycarbonate lenses, the Archer Area Light delivers maximum value by providing significant energy savings, long life and outstanding photometric performance at an affordable price.

- ### Features
- Industry-leading 145 LPW efficacy
  - 0-10V Dimming Standard (10%-100%)
  - Compatible with motion sensors and photocells
  - 5 mounting brackets available

Input Voltage(VAC)	100-277/347-480
CRI	70+
CCT(K)	3500/4000/5000*
Projected Lifetime	100,000 Hrs(L70)
Finish Color	Bronze (RAL8019)**
Housing	Die Cast Aluminum
Optic Types	T2/T3/T4/T5
Dimming	0-10V Dimming(10% to 100%)
Operating Temperature	-30°C ~50°C
IP Rating	IP65
Limited Warranty	10 Years‡
IK Rating	IK08
Surge Protection	10KV standard, 20KV optional
Power Cable	4' - 18/3 SO cord

\*contact sales for lead time and stock info on 3500K  
 \*\*contact sales for lead time on customized finish color  
 ‡see website for warranty terms



Luminaire	Archer	Type
Project		
Product		
Notes		

## Order Format Example: AR-150W-40-V-T3

Series	Wattage	CCT	Voltage	Optics	Finish
AR	- 60W - 100W - 120W - 150W - 200W - 240W - 300W	- 35 3500K - 40 4000K - 50 5000K	- Blank 100-277V - V 347-480V	- T2 - T3 - T4 - T5	- Blank Bronze (RAL 8019)  - Custom colors are available for an additional cost. Call ATG for details.

Mounting	Options
<b>SF</b> MSF-AR-00, Slip Fitter	<b>P1</b> JL-207 3-Pin Photocell
<b>UB</b> MUB-AR-00, U Bracket, 60-150W	<b>RE</b> RE-207 Receptacle for 3-Pin Photocell
<b>UB</b> MUB-AR-01, U Bracket, 200-300W	<b>S3</b> BRI823, Bi-Level Sensor
<b>TN</b> MTN-AR-00, Trunnion Mount	<b>FV</b> SHD-AR-01, External 360° Full Visor
<b>YK</b> MYK-AR-00, Yoke Mount	<b>GS</b> SHD-AR-02, External Glare Shield
<b>AM</b> MAM-AR-00, Arm Mount	<b>R1</b> RC100, Remote for BRI series

\*\*contact sales for lead time and pricing on customized finish color

## Performance Chart

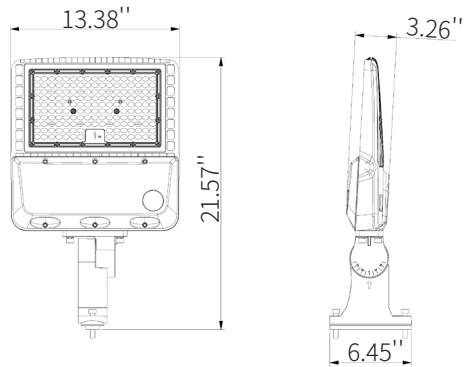
Model Number	Default Wattage(W)	Input Voltage(VAC)	CRI	Optics	EPA	B	U	G	DLC	Shipping
AR-60-XX-T2	60	100-277/347-480	70+	T2	0.43 SF/0.5 AM	3	2	3	*	Build To Order
AR-60-XX-T3	60	100-277/347-480	70+	T3	0.43 SF/0.5 AM	3	2	3	*	Build To Order
AR-60-XX-T4	60	100-277/347-480	70+	T4	0.43 SF/0.5 AM	3	2	3	*	Build To Order
AR-60-XX-T5	60	100-277/347-480	70+	T5	0.43 SF/0.5 AM	3	2	3	*	Build To Order
AR-100-XX-T2	100	100-277/347-480	70+	T2	0.43 SF/0.5 AM	3	2	3	✓	Quick Shipping
AR-100-XX-T3	100	100-277/347-480	70+	T3	0.43 SF/0.5 AM	3	2	3	✓	Quick Shipping
AR-100-XX-T4	100	100-277/347-480	70+	T4	0.43 SF/0.5 AM	3	2	3	✓	Quick Shipping
AR-100-XX-T5	100	100-277/347-480	70+	T5	0.43 SF/0.5 AM	3	2	3	✓	Quick Shipping
AR-120-XX-T2	120	100-277/347-480	70+	T2	0.43 SF/0.5 AM	3	2	3	*	Build To Order
AR-120-XX-T3	120	100-277/347-480	70+	T3	0.43 SF/0.5 AM	3	2	3	*	Build To Order
AR-120-XX-T4	120	100-277/347-480	70+	T4	0.43 SF/0.5 AM	3	2	3	*	Build To Order
AR-120-XX-T5	120	100-277/347-480	70+	T5	0.43 SF/0.5 AM	3	2	3	*	Build To Order
AR-150-XX-T2	150	100-277/347-480	70+	T2	0.43 SF/0.5 AM	3	2	3	✓	Quick Shipping
AR-150-XX-T3	150	100-277/347-480	70+	T3	0.43 SF/0.5 AM	3	2	3	✓	Quick Shipping
AR-150-XX-T4	150	100-277/347-480	70+	T4	0.43 SF/0.5 AM	3	2	3	✓	Quick Shipping
AR-150-XX-T5	150	100-277/347-480	70+	T5	0.43 SF/0.5 AM	3	2	3	✓	Quick Shipping
AR-200-XX-T2	200	100-277/347-480	70+	T2	0.58 SF/0.67 AM	4	2	4	✓	Build To Order
AR-200-XX-T3	200	100-277/347-480	70+	T3	0.58 SF/0.67 AM	4	2	4	✓	Build To Order
AR-200-XX-T4	200	100-277/347-480	70+	T4	0.58 SF/0.67 AM	4	2	4	✓	Build To Order
AR-200-XX-T5	200	100-277/347-480	70+	T5	0.58 SF/0.67 AM	4	2	4	✓	Build To Order
AR-240-XX-T2	240	100-277/347-480	70+	T2	0.58 SF/0.67 AM	4	2	4	*	Build To Order
AR-240-XX-T3	240	100-277/347-480	70+	T3	0.58 SF/0.67 AM	4	2	4	*	Build To Order
AR-240-XX-T4	240	100-277/347-480	70+	T4	0.58 SF/0.67 AM	4	2	4	*	Build To Order
AR-240-XX-T5	240	100-277/347-480	70+	T5	0.58 SF/0.67 AM	4	2	4	*	Build To Order
AR-300-XX-T2	300	100-277/347-480	70+	T2	0.58 SF/0.67 AM	4	2	4	✓	Quick Shipping
AR-300-XX-T3	300	100-277/347-480	70+	T3	0.58 SF/0.67 AM	4	2	4	✓	Quick Shipping
AR-300-XX-T4	300	100-277/347-480	70+	T4	0.58 SF/0.67 AM	4	2	4	✓	Quick Shipping
AR-300-XX-T5	300	100-277/347-480	70+	T5	0.58 SF/0.67 AM	4	2	4	✓	Quick Shipping

\*DLC can be obtained upon receipt of an order, please contact sales.

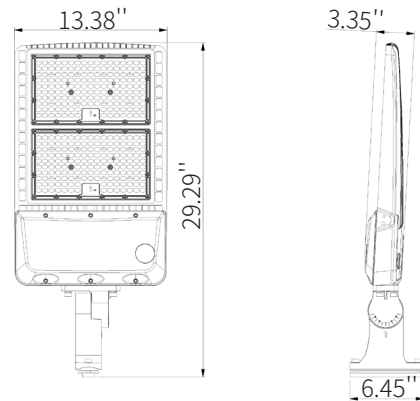
Model Number	System Wattage(W)	CCT	T2		T3		T4		T5	
			Efficacy (LPW)	Lumen Flux(LM)	Efficacy (LPW)	Lumen Flux(LM)	Efficacy (LPW)	Lumen Flux(LM)	Efficacy (LPW)	Lumen Flux(LM)
AR-60-35-TX	60	3500	143	8580	143	8580	143	8580	143	8580
AR-60-40-TX	60	4000	145	8700	145	8700	145	8700	145	8700
AR-60-50-TX	60	5000	146	8760	146	8760	146	8760	146	8760
AR-100-35-TX	100	3500	143	14300	143	14300	143	14300	143	14300
AR-100-40-TX	100	4000	145	14500	145	14500	145	14500	145	14500
AR-100-50-TX	100	5000	146	14600	146	14600	146	14600	146	14600
AR-120-35-TX	120	3500	143	17160	143	17160	143	17160	143	17160
AR-120-40-TX	120	4000	145	17400	145	17400	145	17400	145	17400
AR-120-50-TX	120	5000	146	17520	146	17520	146	17520	146	17520
AR-150-35-TX	150	3500	143	21450	143	21450	143	21450	143	21450
AR-150-40-TX	150	4000	145	21750	145	21750	145	21750	145	21750
AR-150-50-TX	150	5000	146	21900	146	21900	146	21900	146	21900
AR-200-35-TX	200	3500	143	28600	143	28600	143	28600	143	28600
AR-200-40-TX	200	4000	145	29000	145	29000	145	29000	145	29000
AR-200-50-TX	200	5000	146	29200	146	29200	146	29200	146	29200
AR-240-35-TX	240	3500	143	34320	143	34320	143	34320	143	34320
AR-240-40-TX	240	4000	145	34800	145	34800	145	34800	145	34800
AR-240-50-TX	240	5000	146	35040	146	35040	146	35040	146	35040
AR-300-35-TX	300	3500	143	42900	143	42900	143	42900	143	42900
AR-300-40-TX	300	4000	145	43500	145	43500	145	43500	145	43500
AR-300-50-TX	300	5000	146	43800	146	43800	146	43800	146	43800

## Dimensions

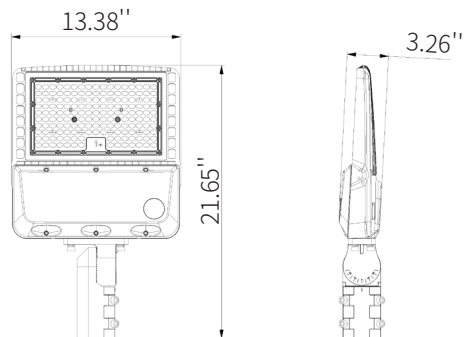
MAM-AR-00 60W-150W Arm Mount



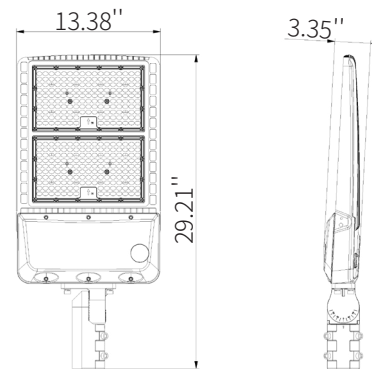
MAM-AR-00 200W-300W Arm Mount



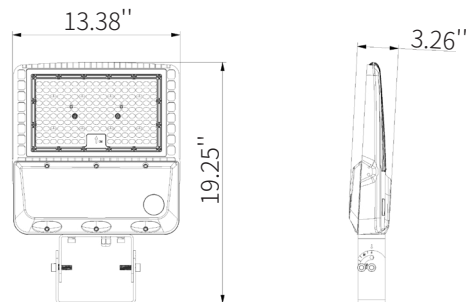
MSF-AR-00 60W-150W-Slip Fitter



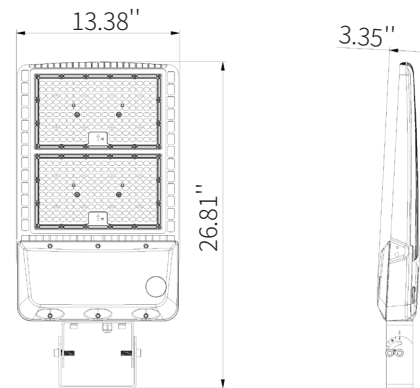
MSF-AR-00 200W-300W-Slip Fitter



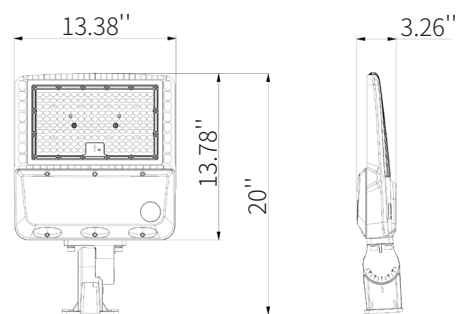
MTR-AR-00 60W-150W-Trunnion Bracket



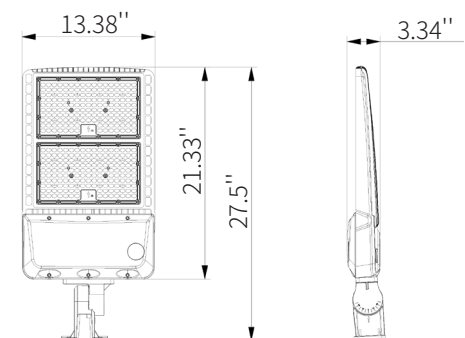
MTR-AR-00 200W-300W-Trunnion Bracket



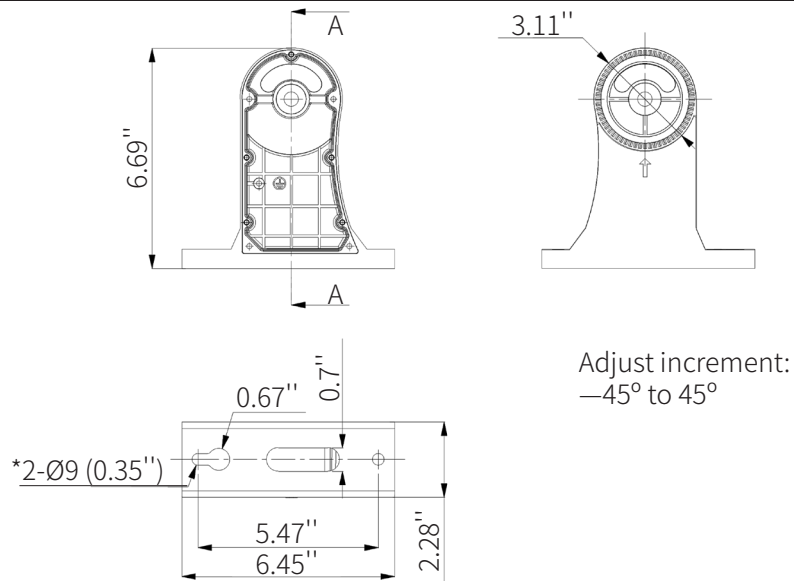
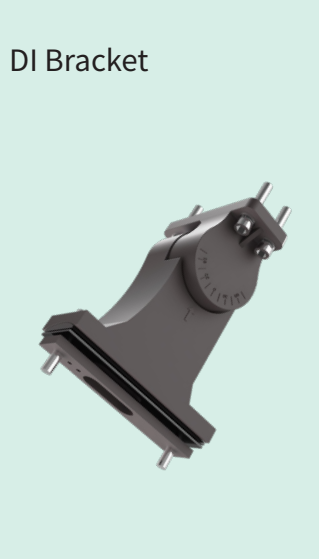
MYK-AR-00 60W-150W YM Bracket



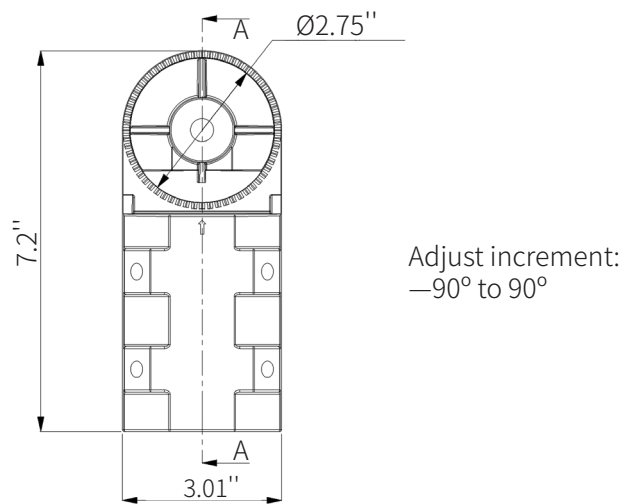
MYK-AR-00 200W-300W YK Bracket



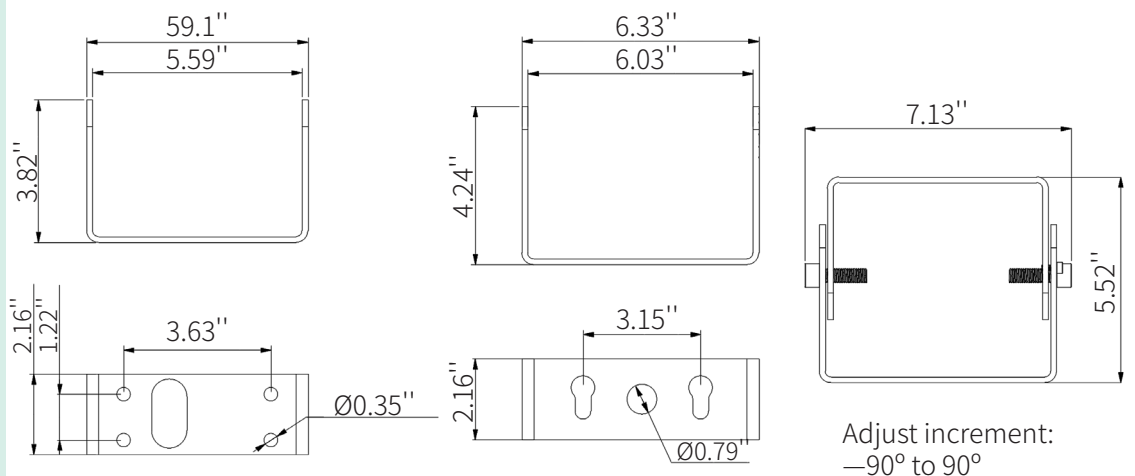
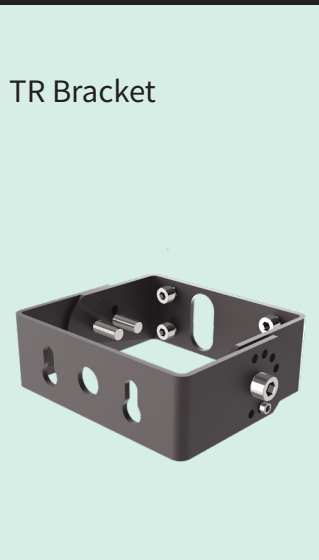
**MAM-AR-00 Arm Mount**



**MSF-AR-00 Slip Fitter**

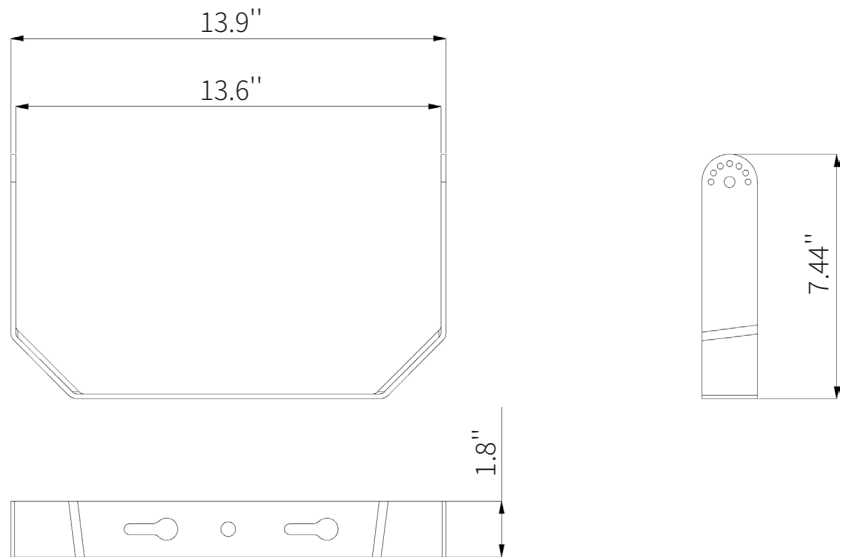


**MTN-AR-00 Arm Mount**



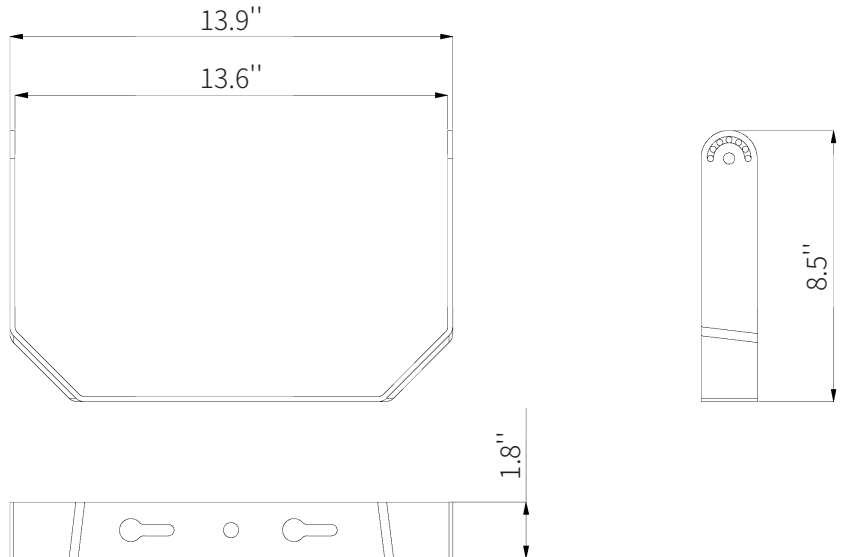
**MUB-AR-00 60-150W**

U Bracket



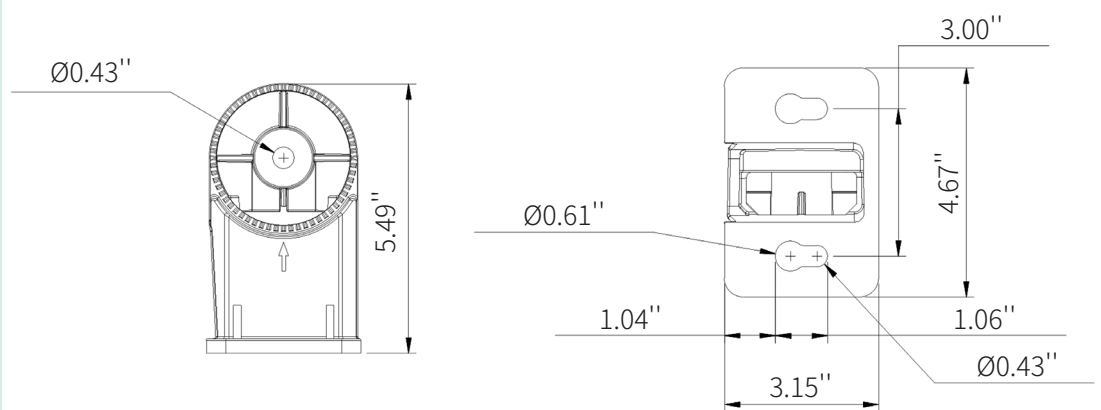
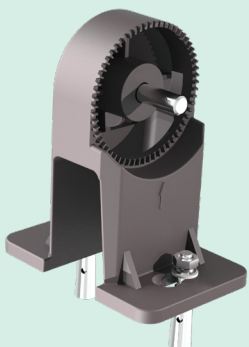
**MUB-AR-00 200-300W**

U Bracket



**MYK-AR-00 Yoke Mount**

YM Bracket



Electrical Accessories

JL-207

3-Pin Photocell



The JL-207 photocell series is applicable to control street lighting, garden lighting, passage lighting and doorway lighting automatically in accordance with the ambient natural lighting level.

**FEATURES**

- Rated Voltage 120-277VAC
- Rated Frequency 50/60 Hz
- Rated Loading 1000W Tungsten, 1800VA Ballast
- Power Consumption 0.5W
- Typical On/Off Level 16 Lx On/24 Lx Off
- Ambient Temp -40°C ~+70°C

\*Please visit our website for more details:

<http://atgledlighting.com/wp-content/uploads/2019/04/JL-207.pdf>

BRI823

Bi-Level Sensor



The BRI823 is an outdoor lighting fixture and provides multi-level control based on motion and daylight contribution.

**FEATURES**

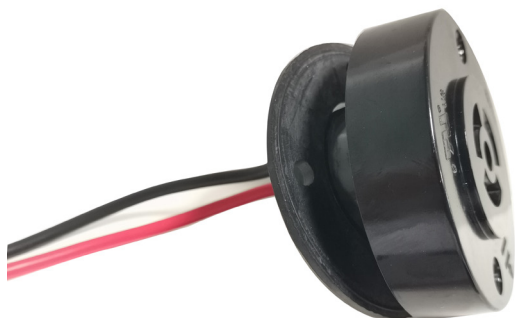
- Rated Voltage 120-277VAC
- Rated Frequency 50/60 Hz
- Rated Loading 600W Tungsten @120V, 800/1200VA Ballast @120/277V
- Dim Control Output 0-10V Max, 25mA sinking current
- Remote Range 50ft
- Ambient Temp -40°C ~+70°C

\*Please visit our website for more details:

<http://atgledlighting.com/wp-content/uploads/2018/12/BRI823.pdf>

RE-207

Receptacle for 3-Pin Photocell



Receptacle for JL-207 series. Can be pre-installed.

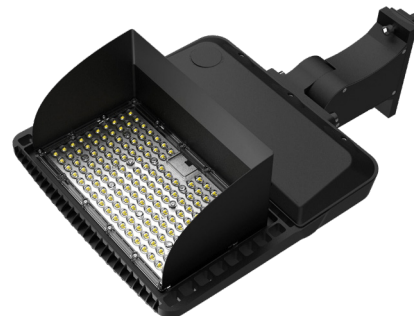
## Accessories

Shield SHD-AR-01

External 360° Full Visor

Shield SHD-AR-02

External Glare Shield



### Step 1



### Step 2



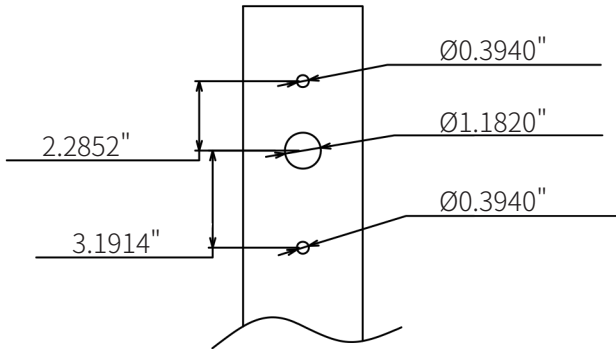
### Step 3



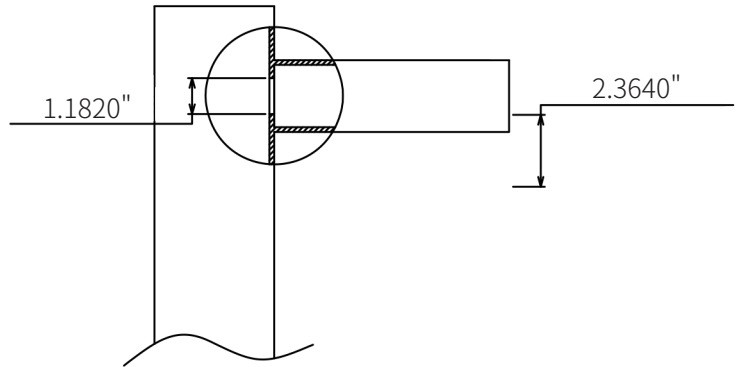
Model	Wattage	Lumen Package	Equivalent
AR-60-XX	60W	8500 LM+	175W MH/HPS
AR-100-XX	100W	14000 LM+	250W MH/HPS
AR-120-XX	120W	17000 LM+	300W MH/HPS
AR-150-XX	150W	21000 LM+	320W MH/HPS
AR-200-XX	200W	29000 LM+	400W MH/HPS
AR-240-XX	240W	35000 LM+	500W MH/HPS
AR-300-XX	300W	43000 LM+	750W MH/HPS

Archer pole drilling detail

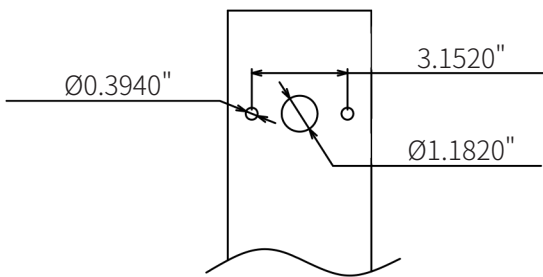
Direct Mount Pole drilling detail



Slipfitter Mount Pole detail



Trunion Mount Pole drilling detail



Yoke Mount Pole drilling detail

