



## **DUO DIRECT KIT GEN 2**

POWER AND CCT SELECTABLE DOORFRAME RETROFIT KIT

## ECDK

Power and CCT Selectable Doorframe Retrofit Kit



### DESCRIPTION

LED Retrofit Kit / 2X2 & 2X4 / DUO Selectable  
/ 120-277V / 0-10V Dimming



## PRODUCT FEATURES

- Low profile, low glare, low flicker, classic design
- Ambient operating temperature: -20°C(-4°F) to 50°C(122°F)
- THD<20%, Power Factor>0.97
- Emergency backup options available
- Stand Alone Fixture Control(SAFC) options available
- BLE Mesh Control (LLLC) and Circuit Level control (LALC) options available
- Surface mount kit available

\* Control and EM options are sold separately, lead time and extra cost may apply  
\* Surface mount kit are sold separately

## POWER SELECTABILITY

- Feature Power Selectable Techology: Adjust wattage between 20W/25W/30W(2X2), 25W/30W/35W(2X4)
- Feature CCT Selectable Technology: Adjust CCT Between 3500K/4000K/5000K

## PRODUCT SPECIFICATIONS

Part Number	Nominal Wattage(W)	3500K			4000K			5000K		
		Wattage (W)	Efficacy (LM/W)	Lumens (LM)	Wattage (W)	Efficacy (LM/W)	Lumens (LM)	Wattage (W)	Efficacy (LM/W)	Lumens (LM)
ECDK22-20W-T1-R0-R1	30	29.3	125.1	3,669	28.2	139.3	3,925	29.2	127.2	3,709
	25	24.0	130.0	3,116	23.2	143.1	3,320	23.9	132.3	3,166
	20	19.6	134.3	2,627	19.0	146.1	2,779	19.6	137.0	2,682
ECDK24-25W-T1-R0-R1	35	33.7	124.1	4,178	32.5	139.0	4,519	33.6	125.5	4,220
	30	28.5	128.5	3,666	27.6	142.0	3,917	28.6	129.8	3,710
	25	23.5	132.9	3,122	22.8	145.1	3,308	23.5	134.2	3,155

\* All data is based on in-house IES files  
\* DLC reported data is based on worst case(lowest CCT, highest wattage)

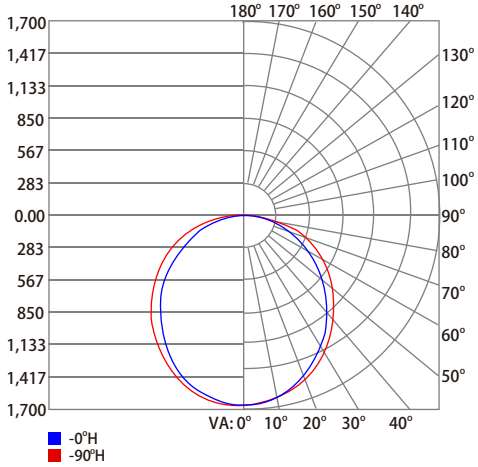
## ECDK

Power and CCT Selectable Doorframe Retrofit Kit

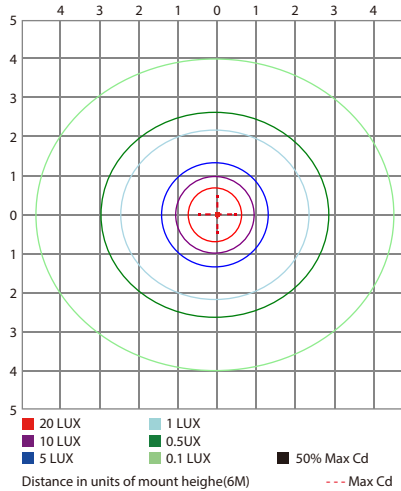
### PHOTOMETRIC SPECIFICATIONS

**ECDK24-25W-T1-R0-R1**

#### POLA CANDELA DISTRIBUTION



#### ISO ILLUMINANCE



#### ZONAL LUMEN SUMMARY

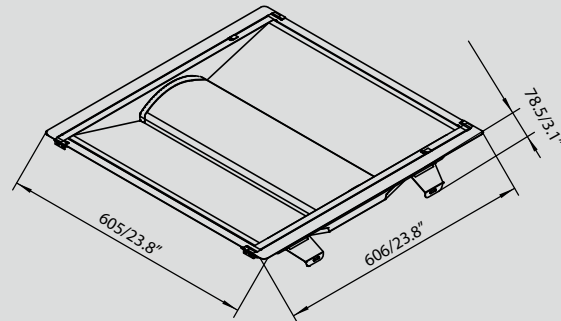
Zone	Lumens	% Lamp	% Luminaire
0-30	1,195.9	26.5%	26.5%
0-40	1,949.6	43.1%	43.1%
0-60	3,441.5	76.2%	76.2%
60-90	1075.4	23.8%	23.8%
70-100	502.0	11.1%	11.1%
90-120	1.1	0%	0%
0-90	4,516.9	100%	100%
90-180	2.1	0%	0%
0-180	4,519.0	100%	100%

### PHYSICAL SPECIFICATIONS

#### PACKAGING

Dimensions				
PART NO.	SCALE	LENGTH	WIDTH	DEPTH
ECDK22	inch	23.7	23.7	3.1
	mm	603	603	54

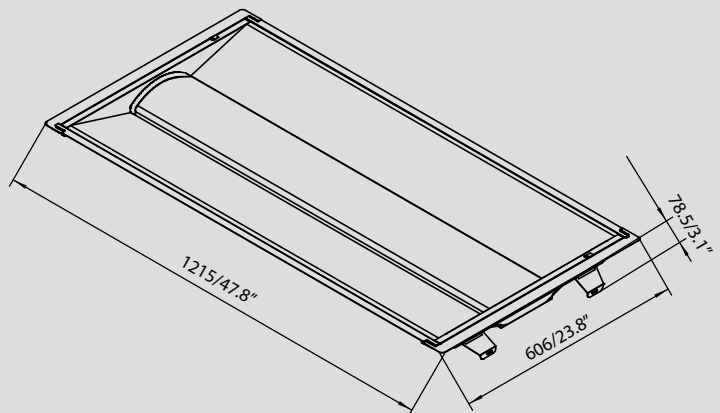
Recorded in inches



#### PACKAGING

Dimensions				
PART NO.	SCALE	LENGTH	WIDTH	DEPTH
ECDK24	inch	47.8	23.7	3.1
	mm	1213	603	54

Recorded in inches



**ECDK**  
Power and CCT Selectable Doorframe Retrofit Kit

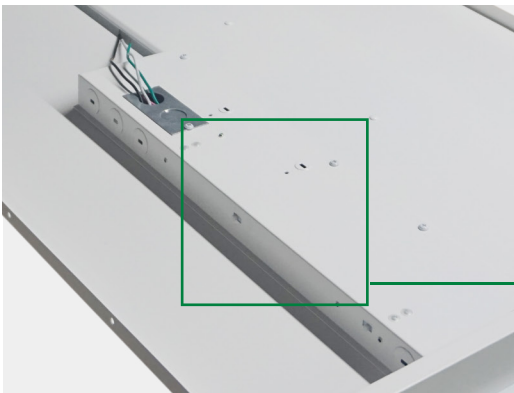
**DUO SELECTABLE TECHNOLOGY AND PLUG-AND-PLAY SENSOR**

- This fixture is equipped with field-adjustable Power Select technology.
1. Ensure power is off to the fixture.
  2. Open the driver compartment located on the underside of the fixture.
  3. Adjust switches to desired settings.



**PLUG AND PLAY MICROWAVE SENSOR**

With pre-installed receptacle, microwave sensor can be added on site to save labor cost.

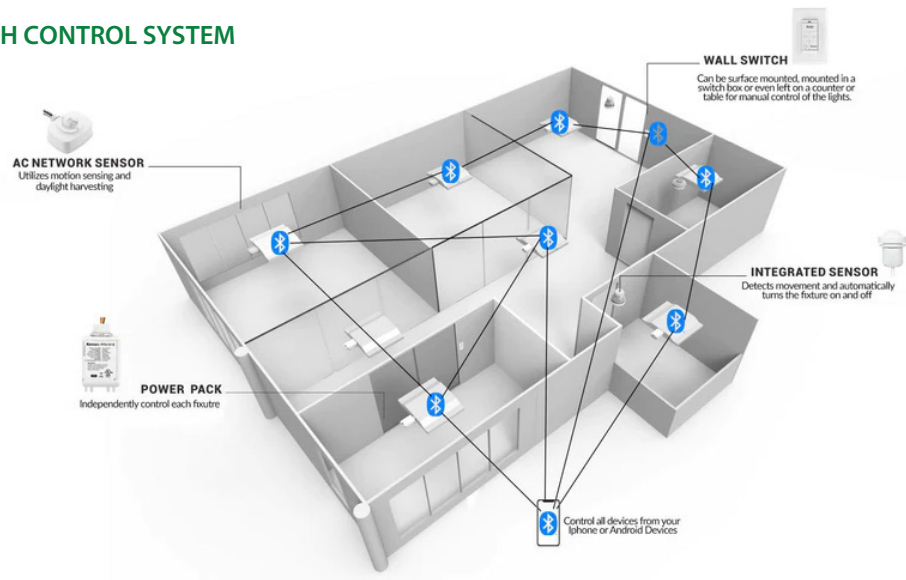


**POWER & CCT SELECTABLE**

Wattage and CCT can be easily adjusted via the DIP switch on the driver box.



**COMPATIBLE WITH BLE MESH CONTROL SYSTEM**

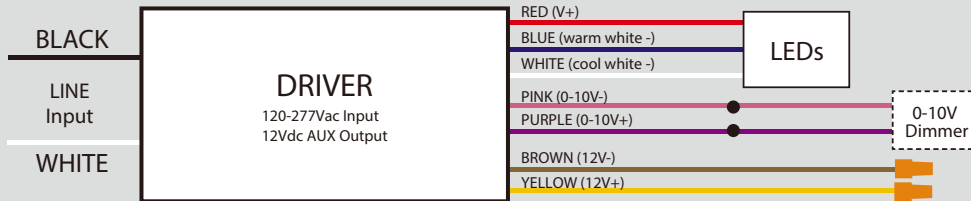


## ECDK

Power and CCT Selectable Doorframe Retrofit Kit

### WIRING DIAGRAMS

#### 0-10V Dimmer



### ADDITIONAL ACCESSORIES (SOLD SEPARATELY)

ATG CODE	MODEL NUMBER	DESCRIPTION
SI	IFS06R	PIR Occupancy Sensor, 12VDC, with Daylight Harvesting Function
ST	ANT-15P	PIR Occupancy Sensor, 12VDC, with Daylight Harvesting Function <b>*Recommended*</b>
CJ	RM51	Remote for IFS06R & IFS108-BH4
R1	RC-100	Remote for ANT-15P
E7	EMH-08170-FY	Emergency Backup, 120-277VAC input, Emergency Output: 8W, with Li-ion Battery
SMK22	HAC-CLMB0-0600A0-RS	Surface Mount Kit for 2x2 Troffer&DK
SMK24	HAC-CLMB0-0612A0-RS	Surface Mount Kit for 2x4 Troffer&DK

### SENSOR & EMERGENCY DRIVER



ANT-15P **\*Recommended\***



IFS06R



EMH-08170-FY



RC-100

## ECDK

Power and CCT Selectable Doorframe Retrofit Kit

### ORDER FORMAT

**EXAMPLE: ECDK22-20W-T1-R0-R1**

Series	Size	Wattage	CCT	Driver	Option
<b>ECDK</b>					
ECDK	22=2'X2'	20W=20W/25W/30W Selectable	T1=3500K/4000K/5000K Selectable	Blank=100-277VAC, without 12VDC AUX	Blank=without receptacle
	24=2'X4'	25W=25W/30W/35W Selectable		R0=100-277VAC, with 12VDC AUX	R1=receptacle pre-installed

\* PLS SEE BELOW PAGE FOR QUICK ORDERING GUIDE

### QUICK ORDERING GUIDE

✓	Part Number	Description	QUICK SHIPPING*
	ECDK24-25W-T1-R0-R1	G2 DUO LED Direct Kit, CCT&Power Switchable, 2x4, 3500K/4000K/5000K, 25W/30W/35W, 100-277VAC, Slim Version, with 12VDC AUX & Receptacle	✓
	ECDK22-20W-T1-R0-R1	G2 DUO LED Direct Kit, CCT&Power Switchable, 2x2, 3500K/4000K/5000K, 20W/25W/30W, 100-277VAC, Slim Version, with 12VDC AUX & Receptacle	✓
	ECDK22T-30W-01	DUO LED Direct Kit, CCT&Power Switchable, 2x2, 3500K/4000K/5000K, 20W/25W/30W, 100-277VAC *CLEARANCE*	✓
	ANT-15P	Bi-Level PIR Sensor, 12~24VDC	✓
	RC-100	Remote for ANT-15P	✓
	ILB-CP05-A	Emergency Backup	
	EMH-08170-FY	Emergency Backup	✓

\* QUICK SHIPPING means this is a inventory product, please contact our sales for realtime stock information.