



Duo

ATG's Wrap Light is ideal for interior use cases in schools, hospitals, offices, and workshops. Best mounted at 8-12 feet, this low-profile, high-efficiency light produces luminance equal to conventional lights at one-third the wattage.

Product Specs	
Input Voltage (VAC)	120-277
CRI	80+
CCT (K)	3500, 4000, 5000 selected
PF	>.9
THD	<20%
L70 Hours per TM21-2008: REPORTED (Calculated)	See Lumen Maintenance Table
Color	White
Housing	Extruded and Sheet Aluminum
Lens Type	Frosted
Temperature Range	-20° C to 50° C
Warranty	10 Years

Project Details		Type
Project:		
Product:		
Prepared by:		
Notes:		

APPLICATIONS		
Application	Ceiling	
Fixture Type	Linear Surface Mount	
Office and Meeting Space	<b>X</b>	
Educational Facilities	<b>X</b>	
Industrial and Distribution	<b>X</b>	
Hospital and Healthcare Facilities	<b>X</b>	
Garage and Parking Lot		
Parks and Recreation		

**ENABLED:** Bluetooth DLC TruBIU SILVAIR

### CERTIFICATIONS AND COMPATIBILITIES



### ORDER FORMAT Example: WR3-4FT-30-T1-F

Series	Length	Wattage	CCT	Voltage	Lens
WR3	4FT	30=30/35/40W 30W is default	T1=DUO Selectable	Blank=100-277V	F=Frosted

### INFORMATION FOR LIGHTING CONTROLS APPLICATIONS

LLLC - Luminaire Level Lighting Control (Mesh Network)	LALC - Local Area Lighting Control (Circuit Level)	SAFC - Stand Alone Fixture Control
<p>LLLC</p>	<p>LALC</p>	<p>SAFC</p>
		<p>Pole POLE</p>
		<p>*possibly rebated on fixture only</p>
<p>Control-luminaire groupings typified by needs to a space or user, coordinated via wireless signals, executed at each luminaire. LLLC and networked solutions are highlighted by ability to operate independently or in mesh coordination. Note: they are not related by a power circuit.</p>	<p>LALC solutions are highlighted by their "many to one" arrangements. This can save on hardware costs with minimal labor increases. Characteristically they are linked (related) by power or control wires.</p>	<p>SAFC solutions have sensors that typically only detect and individually control a single fixture. Characteristically they have A) 1:1 sensor to fixture relationship; B) sensor integrally wired and/or affixed to fixture; C) Likely to have physical settings on the sensor, but may have hand held program tool.</p>

**CONTROLS, OPTIONS, AND ACCESSORIES** ↓ CLICKABLE LINKS ↓

**LLLC - LUMINAIRE LEVEL LIGHTING CONTROL (MESH NETWORK)**

ATG Code	Description	Model Number
W3	Bi-Level Microwave Remote Mount Occupancy Sensor	<a href="#">PSC-BL-M-RT-DC0-BLE-SR</a>
W5	Bi-Level PIR Occupancy Sensor Side Mounted, 100-277V	<a href="#">PSC-BL-I-FM-110-BLE-SR</a>
W9	12V Wireless Fixture Controller	<a href="#">PSC-WCM-50-DC0-BLE-SR</a>
PP7	12V power supply for fixture mount with relay	<a href="#">PSC-AC-PP-700C</a>

**LALC - LOCAL AREA LIGHTING CONTROL (CIRCUIT LEVEL)**

ATG Code	Description	Model Number
PP5	Room Controller, KO Mount, 120-277In / 12DC and 0-10V Out / 16A	<a href="#">PSC-WCM-450-BLE-SR</a>
PP2	Dimming Power Pack, Fixture Mount, 120-277Vac Input, 12.5Vdc Output / 10A	<a href="#">PSC-AC-PP-200</a>
W7	Wireless Dimmer Switch	<a href="#">PSC-DM-WS-100-BLE-SR</a>
W8	Wireless Dimming Occupancy Switch	<a href="#">PSC-DM-I-WS-100-BLE-SR</a>
W9	12V Wireless Fixture Controller	<a href="#">PSC-WCM-50-DC0-BLE-SR</a>

**SAFC - STAND ALONE FIXTURE CONTROL**

ATG Code	Description	Model Number
SH	Sensor, RF, 120-277V, Occupancy and DLH, Inside Mount	<a href="#">BRI-810-B-F</a>
S1	Sensor, PIR, On/Off, 120-277V, KO Mounted	<a href="#">BRI819-P-B-O</a>
R1	Programmer, hand held remote for BRI series sensor	<a href="#">RC-100</a>

**COMPATIBLE DIMMER CONTROL**

ATG Code	Description	Model Number
—	Diva Paddle On/Off Slider Dimming Control 0-10v, 120-277v Input, 8a Max Output	<a href="#">DVSTV-WH</a>
—	Eaton 0-10v Decorator Dimmer 120/277v Slide Actuator LED/Flr, Single-Pole, Three-Way, 1200w LED	<a href="#">DF10P-C2</a>

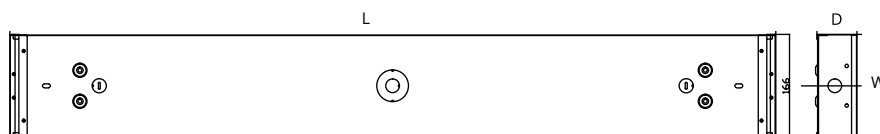
**ACCESSORIES**

ATG Code	Description	Model Number
EC	Emergency Driver & Split battery; 120-277/347Vac in; 8W @ 25-50Vdc out	<a href="#">EMB08YY-050</a>
—	V-Hook Mounting Kit	<a href="#">VH-WRP-01</a>
—	Cable Mounting Kit, 3 Meter	<a href="#">CK-WRP-3M</a>

**LUMEN DATA**

Catalog Number	Length	System Wattage	Scaled Data				DLC ID
			CCT	Wattage (W)	Efficacy (Lm/W)	Lumens (Lm)	
WR3-4FT-30-T1@30W	4FT	30	3500	30	136	4080	S-VB6U9G
WR3-4FT-30-T1@30W	4FT	30	4000	30	137	4110	
WR3-4FT-30-T1@30W	4FT	30	5000	30	138	4140	
WR3-4FT-30-T1@35W	4FT	35	3500	35	135	4655	
WR3-4FT-30-T1@35W	4FT	35	4000	35	134	4690	
WR3-4FT-30-T1@35W	4FT	35	5000	35	133	4725	
WR3-4FT-30-T1@40W	4FT	40	3500	40	132	5200	
WR3-4FT-30-T1@40W	4FT	40	4000	40	131	5240	
WR3-4FT-30-T1@40W	4FT	40	5000	40	130	5280	

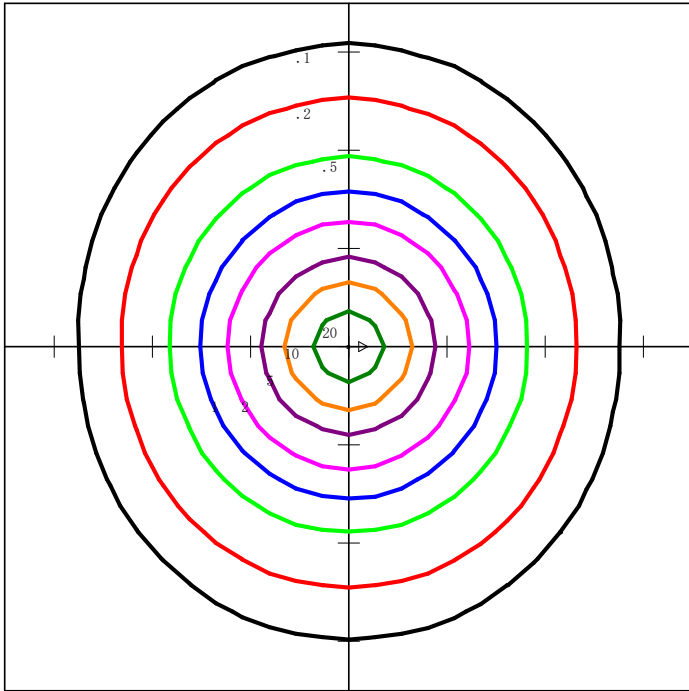
**DIMENSIONS**



Part No.	Length (L)	Width (W)	Depth (D)
WR3-4FT	49.8	5.08	3.46

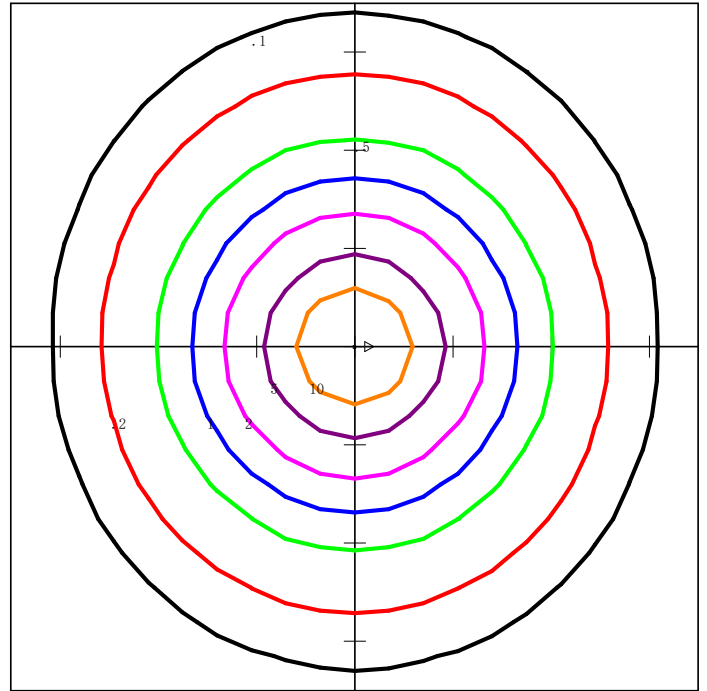
Recorded in inches

**PHOTOMETRICS**



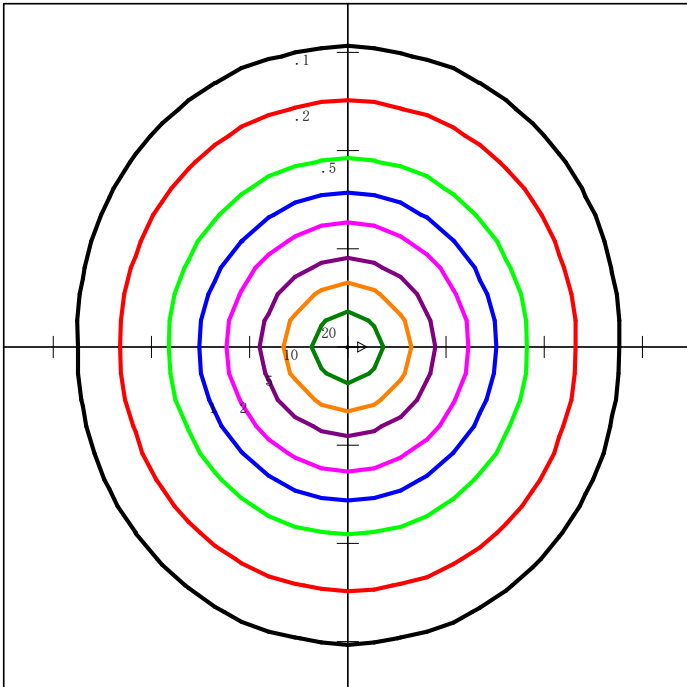
ATG Electronics Corp.  
WR3-4FT-30-T1-F @3500K 40W

Horizontal Footcandles  
Scale: 1 Inch = 10 Ft.  
Light Loss Factor = 1.00  
Lumens Per Lamp = N.A. (absolute photometry)  
Luminaire Lumens = 5352  
Mounting Height = 8.00 Ft  
Maximum Calculated Value = 30.25 Fc  
Arrangement: Single



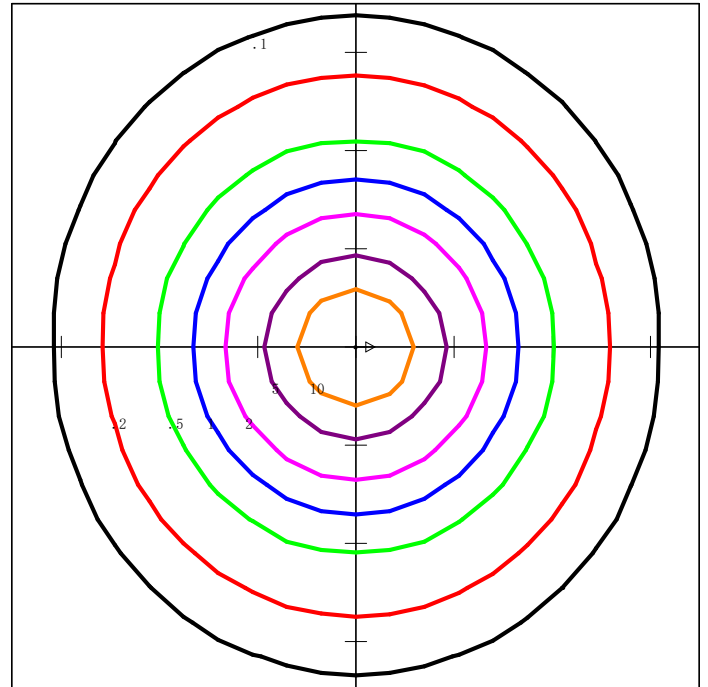
ATG Electronics Corp.  
WR3-4FT-30-T1-F @3500K 40W

Horizontal Footcandles  
Scale: 1 Inch = 10 Ft.  
Light Loss Factor = 1.00  
Lumens Per Lamp = N.A. (absolute photometry)  
Luminaire Lumens = 5352  
Mounting Height = 10.00 Ft  
Maximum Calculated Value = 19.36 Fc  
Arrangement: Single



ATG Electronics Corp.  
WR3-4FT-30-T1-F @5000K 40W

Horizontal Footcandles  
Scale: 1 Inch = 10 Ft.  
Light Loss Factor = 1.00  
Lumens Per Lamp = N.A. (absolute photometry)  
Luminaire Lumens = 5386  
Mounting Height = 8.00 Ft  
Maximum Calculated Value = 30.25 Fc  
Arrangement: Single



ATG Electronics Corp.  
WR3-4FT-30-T1-F @5000K 40W

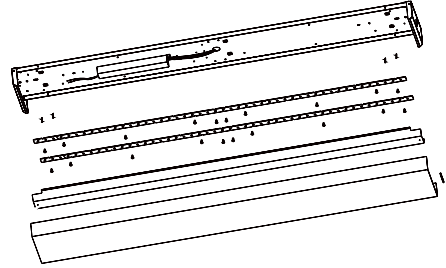
Horizontal Footcandles  
Scale: 1 Inch = 10 Ft.  
Light Loss Factor = 1.00  
Lumens Per Lamp = N.A. (absolute photometry)  
Luminaire Lumens = 5386  
Mounting Height = 10.00 Ft  
Maximum Calculated Value = 19.36 Fc  
Arrangement: Single

## APPLICATION

The Wrap Light can be mounted via pendant, suspension cable, or directly on a flat surface.

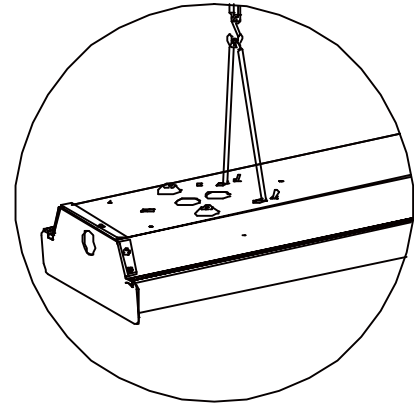
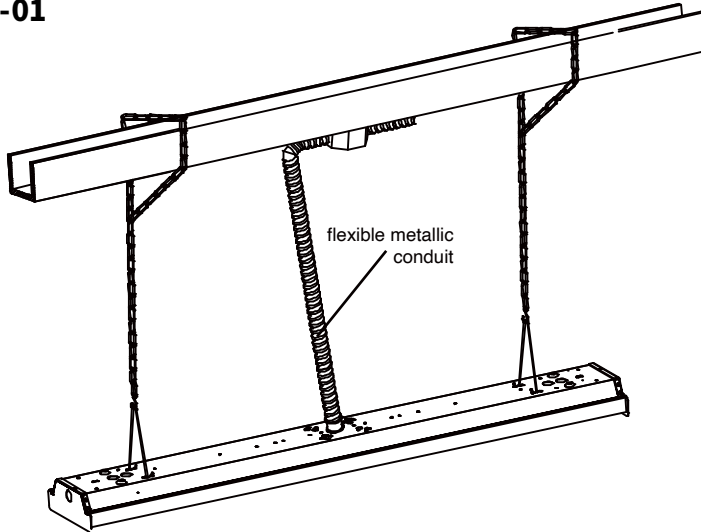
## CONSTRUCTION

ATG's Wrap Light is fitted from durable, lightweight aluminum, and is designed to function from -20° C to 50° C. Paint is corrosion resistant.

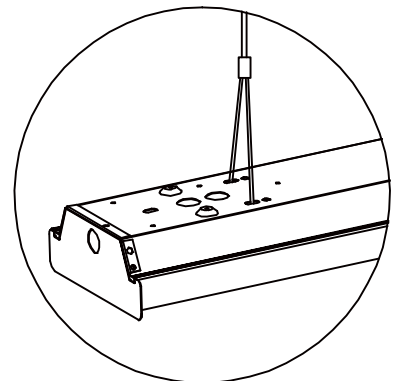
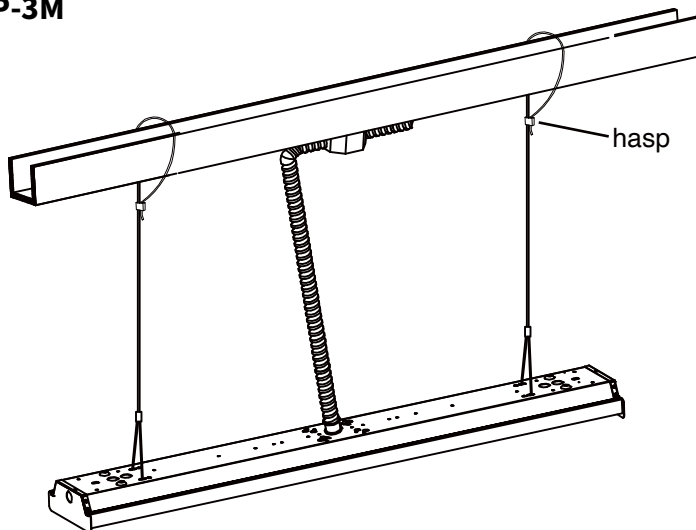


## MOUNTING

### VH-WRP-01



### CK-WRP-3M



## 10 Year Warranty

ATG Electronics®  
Industry Leading 10 Year Limited Warranty  
For North American LED Lighting Fixtures

ATG Electronics warrants to the original purchaser of ATG Electronics Domestic LED products listed above that were manufactured for which the ATG Electronics Spec Sheet located on our website contains the words "10 year limited warranty" that, subject to the below terms and conditions of this warranty, when such LED products are properly installed they will comply with ATG Electronics published product specifications for such products and will be free from material defects in material and workmanship for a period of ten (10) years from the date of sale by ATG Electronics, or, if lesser, 50,000 hours of operation (at an average of 13.6 hours per day operation). The LED arrays in the Product(s) will be considered defective in material or workmanship only if a total of 15% or more of the individual light emitting diodes in the Product(s) fail to illuminate.

The above express limited warranty is extended by ATG Electronics® only to the original or first end-user purchaser and only for the original installed location. This warranty only applies to products purchased after June 1, 2017. This warranty is non-transferable, whether by assignment or operation of law. The original purchaser must provide warranty claims to ATG Electronics within the warranty period promptly upon discovery and in accordance with ATG Electronics Return and Repair Procedures as outlined within this document.

Should any defects be found by ATG Electronics upon its inspection of the properly returned product, ATG Electronics sole responsibility and liability under this warranty will be, at its option, to either repair or replace the defective part or parts or else make available a new replacement unit that will provide equal or better performance. All decisions regarding the existence or non-existence of defects or otherwise affecting the warranty shall be made by ATG ELECTRONICS and shall be final and binding on all parties. Where a defective LED product is replaced under this warranty, the balance of the original warranty period shall remain effective.

### Conditions and Exclusions

This warranty is conditioned upon proper installation, use and maintenance. This warranty will automatically become null and void and shall not be applicable to any LED fixture which (i) has not been timely paid for, (ii) is not installed and operated in accordance with the current edition of The National Electric Code (NEC), the Standards for Safety of Underwriters' Laboratory, Inc. (UL) or with ATG Electronics instructions and guidelines, (iii) has been moved from its original installation, (iv) has been installed within an area that has exposure to sulfur or any area with high acidic compounds in use, (v) has been operated in an ambient temperature or humidity that is higher than 35 degrees Celsius, (vi) has been subjected to a lightning strike, power surge or overvoltage condition, (vii) has its LED Board subjected to static electricity due to failure to discharge same prior to connecting or disconnecting the lead from the LED board, (viii) was not installed and/or operated in accordance with ATG Electronics instructions and guidelines, (ix) has been mishandled, misused, abused, tampered with, modified or altered by anyone other than ATG ELECTRONICS, (x) has been subjected to abnormal stresses and operating conditions, or (xi) has been operated without over-voltage and lightning protection devices in place.

### Limitations

#### Disclaimers & Limitations of Liability

The foregoing warranty is exclusive of all other statutory, written or oral warranties and no other warranties of any kind, statutory, by operation of law or course of performance, or otherwise, are given, herein expressed or otherwise received. EXCEPT AS EXPRESSLY PROVIDED ABOVE, ATG ELECTRONICS DISCLAIMS ALL REPRESENTATIONS, WARRANTIES AND CONDITIONS OF ANY KIND, EXPRESS OR IMPLIED, REGARDING THE LED PRODUCTS AND ITS SERVICES, INCLUDING, WITHOUT LIMITATION, THE IMPLIED WARRANTIES OF MERCHANTABILITY AND FITNESS FOR A PARTICULAR USE OR PURPOSE.

LIMITATION OF LIABILITY. Other than the obligation to repair or replace as provided above, ATG Electronics shall have no liability for any losses, expenses or damages as a result of the installation, use, inability to use, removal or replacement of any LED product. ATG Electronics will not under any circumstances whether as a result of breach of contract, breach of warranty, tort, strict liability or otherwise be liable for consequential, incidental, special or exemplary damages including but not limited to, loss of profits or revenues, loss of any other goods or associated equipment or damage to any associated equipment, cost of capital, cost of substitute products, facilities or services, down time cost or claims of claimant's customers. ATG Electronics liability on any claim of any kind for any loss or damages arising out of, resulting from or concerning any LED product, any aspect of this warranty or for any products or services furnished hereunder shall not exceed the price of the fixture which gives rise to the claim.

### Return and Repair Procedures

All warranty requests and or questions are to be directed to ATG Electronics Customer Service Department (CSD) at 888-618-7298. If deemed necessary, the CSD will issue a Returned Merchandise Authorization (RMA) number which must be included on both the packing slip of the component or fixture being returned and on the outside of the box. You must include your name and contact information, including your email address, on the packing slip so that we can contact you easily. Each component or fixture must be packaged very carefully and properly so as to prevent damages in shipment and must be shipped freight prepaid. Please obtain a proof of delivery to ensure that the material is received.

Once the component or fixture has been received and tested, an evaluation report will be provided to the end user via email. This report will clarify the following:

- A) The component / fixture is covered under the warranty policy and will either be repaired or replaced.
- B) The component / fixture is not covered under the warranty policy and the reason for this determination.

If ATG ELECTRONICS determines that the component or fixture is covered under the warranty, then the appropriate repairs will be started or a replacement fixture will be manufactured and shipped. Please note that in the event the returned component or fixture is found not to be covered under this warranty, you may be subject to a labor charge for the evaluation process and will be responsible for all return shipping charges and fees. For components and fixtures determined to be covered under this warranty prior to the first anniversary of the Sale Date, the repaired or replacement component or fixture will be returned to you at no charge. You will be responsible for all other shipping charges.

### No Labor Reimbursement

All components and fixtures determined to be covered by this warranty as provided above, will be repaired or replaced at no charge to the customer, however, except as expressly provided above with respect to recessed and linear fixtures during the first year, the customer must hire and pay for an electrician to remove and reinstall such components and fixtures. No labor costs will be covered for the removal or reinstallation of any components or fixtures. The warranty does not cover modifications, repairs or replacements, or the related labor or materials costs, that may be necessary to facilities or third party products in connection with the removal, repair, or replacement of any LED product under this warranty.