

ATG's LED Vapor Proof fixture is a rugged fixture designed for ambient lighting in indoor or semi-open environments. It is ideal for indoor and outdoor parking zones, gas stations, warehouses, canopies, and other areas that may see exposure to humidity or moisture while requiring high quality light.

PROJECT DETAILS		TYPE
Project:		
Product:		
Prepared by:		
Notes:		

Product Specs	
Input Voltage (VAC)	120-277 / 347-480
CRI	83
CCT (K)	3500K/4000K/ 5000K Selectable
PF	>.9
THD	15%
Color	White
Housing	Polycarbonate Body & Diffuser
Lens	Matte
Warranty	10 Years [†]
Operating Temperature	-40° C ~ 50° C (-40° F ~ 122° F)
IK Rating	IK08
Lumen Maintenance	See table
IP Rating	IP66

APPLICATIONS	
Application	Ceiling
Fixture Type	Sealed and Gasketed
Office and Meeting Space	
Educational Facilities	X
Industrial and Distribution	X
Hospital and Healthcare Facilities	X
Garage and Parking Lot	X
Parks and Recreation	

ENABLED: Bluetooth

CERTIFICATIONS AND COMPATIBILITIES




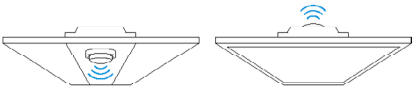
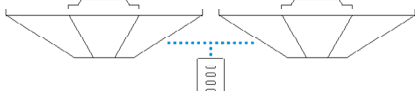
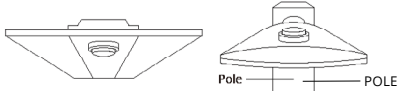


[†]see website for warranty terms

ORDER FORMAT

Series	Length	Wattage	CCT	Voltage	Photocell*	EM*
VPM	4FT=4FT 8FT=8FT	50P=50W/40W/30W Selectable 100P=100W/80W/60W Selectable	T1=3500K/4000K/5000K Selectable	Blank=100-277VAC V=347-480VAC	SH=ANT-9A	EG=YH36-09WL-50

*Sensor and EM Unit shall be ordered separately.

INFORMATION FOR LIGHTING CONTROLS APPLICATIONS

LLLC - Luminaire Level Lighting Control (Mesh Network)  LLLC	LALC - Local Area Lighting Control (Circuit Level)  LALC	SAFC - Stand Alone Fixture Control  SAFC
		
		<p>*possibly rebated on fixture only</p>
<p>Control-luminaire groupings typified by needs to a space or user, coordinated via wireless signals, executed at each luminaire. LLLC and networked solutions are highlighted by ability to operate independently or in mesh coordination. Note: they are not related by a power circuit.</p>	<p>LALC solutions are highlighted by their “many to one” arrangements. This can save on hardware costs with minimal labor increases. Characteristically they are linked (related) by power or control wires.</p>	<p>SAFC solutions have sensors that typically only detect and individually control a single fixture. Characteristically they have A) 1:1 sensor to fixture relationship; B) sensor integrally wired and/or affixed to fixture; C) Likely to have physical settings on the sensor, but may have hand held program tool.</p>

CONTROLS, OPTIONS, AND ACCESSORIES

↓ **CLICKABLE LINKS** ↓

LLLC - LUMINAIRE LEVEL LIGHTING CONTROL (MESH NETWORK)

ATG Code	Description	Model Number
W3	Bi-Level Microwave Remote Mount Occupancy Sensor	PSC-BL-M-RT-DC0-BLE-SR
W5	Bi-Level PIR Occupancy Sensor Side Mounted, 100-277V	PSC-BL-I-FM-110-BLE-SR
W9	12V Wireless Fixture Controller	PSC-WCM-50-DC0-BLE-SR
P7	12V power supply for fixture mount with relay	PSC-AC-PP-700C

LALC - LOCAL AREA LIGHTING CONTROL (CIRCUIT LEVEL)

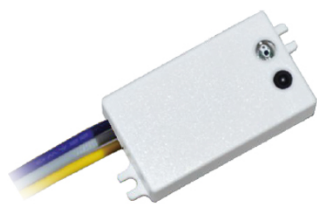
ATG Code	Description	Model Number
P5	Room Controller, KO Mount, 120-277In / 12DC and 0-10V Out / 16A	PSC-WCM-450-BLE-SR
P2	Dimming Power Pack, Fixture Mount, 120-277Vac Input, 12.5Vdc Output / 10A	PSC-AC-PP-200

SAFC - STAND ALONE FIXTURE CONTROL

ATG Code	Description	Model Number
S2	Bi-Level Microwave Sensor, 12-24Vdc in	ANT-9
R1	Programmer, Hand Held Remote for BRI Series Sensor	RC-100
EG	Emergency Driver ; 100-347Vac in ; 9W @15-54Vdc out	YH36-09WL-50

Control

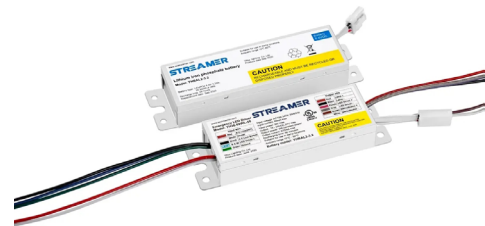
Emergency Driver



ANT-9



RC-100



YH-36

Lumen Data

Model Number	3500K			4000K			5000K		
	Wattage (W)	Efficacy (LM/W)	Lumen (LM)	Wattage (W)	Efficacy (LM/W)	Lumen (LM)	Wattage (W)	Efficacy (LM/W)	Lumen (LM)
VPM-4FT-50P-T1	30	139.7	4,191	30	145.9	4,378	30	141.9	4,258
	40	136.7	5,467	40	142.9	5,715	40	138.9	5,554
	50	132.6	6,684	50	138.7	6,991	50	134.6	6,784
VPM-8FT-100P-T1	60	140.8	8,448	60	147.1	8,823	60	142.9	8,575
	80	136.7	10,935	80	142.9	11,432	80	138.7	11,095
	100	134.7	13,468	100	140.4	14,036	100	136.4	13,635

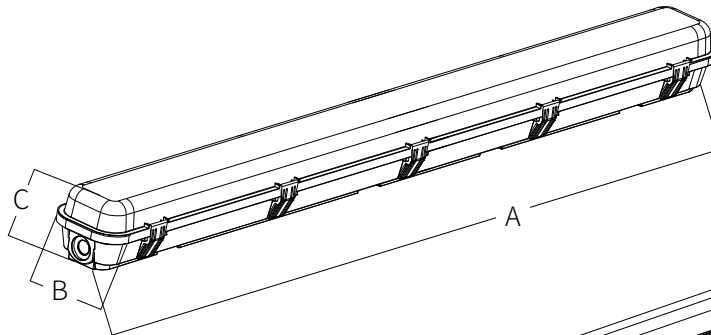
Model Number	Wattage (W)	Backlight	Uplight	Glare	Shipping	DLC ID
VPM-4FT-50P-T1	30	B2	U3	G1	In Stock Item	DLC Premium
	40	B2	U3	G2		
	50	B2	U3	G2		
VPM-8FT-100P-T1	60	B3	U3	G2	In Stock Item	DLC Premium
	80	B3	U3	G3		
	100	B3	U3	G3		

*Data is based on in-house IES files.

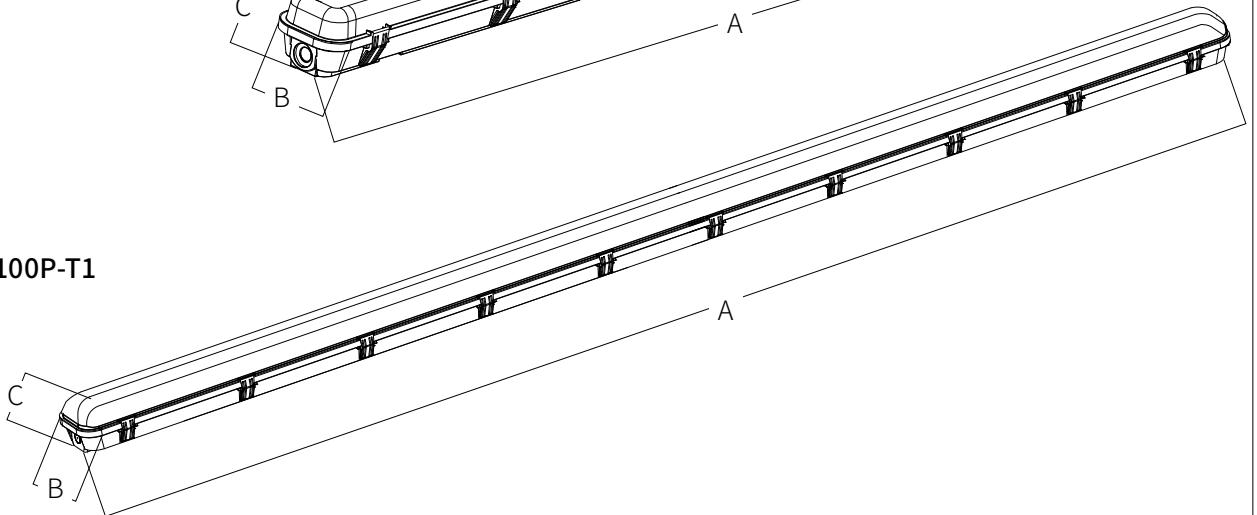
*Fixtures are DLC listed under "Stairwell and Passageway Luminaires".

Dimensions

VPM-4FT-50P-T1

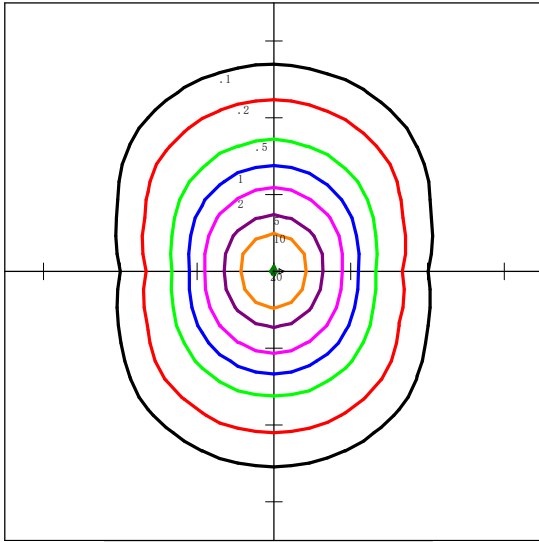


VPM-8FT-100P-T1



Model Number	A (Length)	B (Width)	C (Height)
VPM-4FT-50P-T1	49.8"	4.5"	3.7"
VPM-8FT-100P-T1	101.6"	5.1"	3.7"

Photometrics



ATG LED LIGHTING
VPM-4FT-50P-T1 @50W/4000K

Horizontal Footcandles
Scale: 1 Inch = 15 Ft.
Light Loss Factor = 1.00
Lumens Per Lamp = N.A. (absolute photometry)
Luminaire Lumens = 6991
Mounting Height = 10.00 Ft
Maximum Calculated Value = 20.72 Fc
Arrangement: Single

