

Alphalite

LED AREA LUMINAIRE

PROJECT NAME

CATALOG NO.

TYPE

DATE

NOTE

ASB Series

Outdoor Luminaire Series

DESCRIPTION

The ASB Series LED Area Luminaire delivers extreme intensity and high lumen output for area light application. Superior color, long life and high efficiency allows this luminaire to outperform traditional HID luminaires. The rugged housing and dedicated LED design offers advanced thermal management and protection against outdoor and semi-outdoor environments. Lighting quality and intensity provides benefits for safety and security.

APPLICATION

The ASB solution is ideal for parking structures, auto dealerships, recreational spaces, roadways, and outdoor aisles.



SPECIFICATION FEATURES

Construction

Rugged die-cast aluminum housing withstands outdoor environments. Outer surface treated with durable powder coating to provide resistance to corrosion, rust, weathering, and UV degradation. Rated IP66. Performance-engineered, integral heat dissipation fins provides superior thermal management for long life and reliability. Shorting cap come in standard.

Mounting

Luminaire comes standard with straight-arm mounting accessory. Versatile platform includes different mounting options, including: u-bracket trunion, slip-fitter, wall-mount.

Controls

Suitable for use with photocell and daylight harvesting to achieve deeper energy-savings and code compliance.

Electrical

Luminaire utilizes long life, high efficacy LEDs and a highly efficient, reliable LED driver. Operating temperatures is -22°F-130°F and 120V-277V input voltage for increased versatility.

Optics

Precision-formed optical lens system reduces glare and improves safety and security by delivering high-efficiency illumination with precise optical distribution. Type III distribution comes standard.

Certifications / Regulatory

UL/cUL listed. All components used have UL approval.

Warranty

5-year limited warranty. See complete warranty terms for details.

Quick Ship Product

ASB-150/850
ASB-200/850

ORDERING INFORMATION

Sample Number: **ASB-150/50**

| ASB | 150 | 50 | (Blank) | (Blank) | (Blank) | (Blank) |
|------------------------------|--|--------------------------|--|---|------------------------------------|--|
| Series | Lumen Package | CCT | Input Voltage | Beam Angle | Dimming | Finish Color |
| ASB - LED Area Luminaire | 100 - 100W 150 - 150W 200 - 200W 300 - 300W | 40 - 4000K 50 - 5000K | (Blank) - 100V-277V HV - 277V-480V | (Blank) - Type III T2 - Type II T4 - Type IV T5 - Type V | (Blank) - 0-10V Continuous Dimming | (Blank) - Dark Bronze WH - White BLK - Black SLV - Silver |
| *see energy data for details | | | | | | |

Options

Mounting

ASF - Adjustable Slip-fitter
RPM - Round Pole Mount
SPM - Square Pole Mount
AUB - Adjustable Trunion U-bracket

Dimming/ Controls

PC - Photocell
OS - Integrated step dimming PIR occupancy sensor



Specifications and dimensions subject to change without notice.

10715 Springdale Ave, Ste 4, Santa Fe Springs, CA 90670

Tel: 888.287.9228

Fax: 888.258.9183

www.alphalite.com

SUMMARY

| | |
|-------------------|---------------------------------|
| Input Voltage | 100V-277V |
| Input Power | See energy data for details |
| Power Factor | > 0.95 |
| THD (Max.) | 20% |
| Efficacy | > 122 LPW |
| Delivered Lumens | See energy data for details |
| Controls/ Dimming | 0-10V dimming option available. |
| CRI | > 80 |
| CCT | 4000K, 5000K |
| Operating Temp. | -22°F ~ 130°F (-30°C ~ +54°C) |
| Rated Life | 50,000 hours |
| IP Grade | IP65 |

ENERGY PERFORMANCE DATA

| Part No. | Rated Wattage (W) | Delivered Lumens (lm) | Efficacy (lm/W) |
|----------|-------------------|-----------------------|-----------------|
| ASB-100 | 100 | 12,219 | 122 |
| ASB-150 | 150 | 19,164 | 128 |
| ASB-200 | 200 | 24,233 | 122 |
| ASB-300 | 300 | 38,282 | 125 |

MOUNTING INFORMATION

Adjustable Slip-fitter



Round Pole Mount



Square Pole Mount



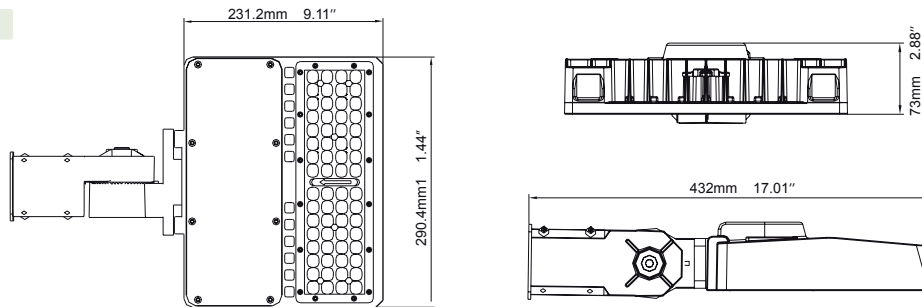
Adjustable Trunion U-bracket



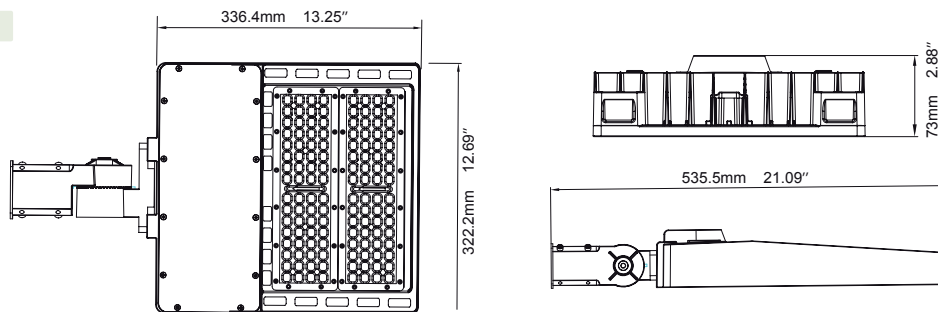
PHYSICAL PARAMETERS

DIMENSION

ASB-100



ASB-150, and 200



ASB-300

