

**CCT SELECTABLE PL LAMP**  
**PL HORIZONTAL & VERTICAL SERIES**  
**UL TYPE-A BALLAST COMPATIBLE**



**PRODUCT DESCRIPTION:**

MaxLite LED DirectFit PL Lamps are the plug-and-play replacement for CFL downlights with 4-pin G24q and Gx24 sockets. These energy-saving LED lamps are quick, easy and safe to install into existing CFL fixtures without any extra effort or rewiring. Available in horizontal and vertical installation positions, the lamps offer three discrete correlated color temperatures (CCTs) in a single product.



**FEATURES:**

- 9W Bare lamp wattage (11W System Wattage)
- CCT selectable - simple slide switch on lamp base to choose between 3000K, 3500K and 4000K
- Input voltage: determined by fluorescent ballast
- Dims with compatible dimming ballast
- Suitable for use in enclosed luminaires

**LISTINGS:**

- UL listed for dry and damp locations
- DLC 5.0 Standard

**WARRANTY:**

5-year standard warranty (further details available at [www.maxlite.com/warranties](http://www.maxlite.com/warranties)) Product may be eligible for a warranty extension to 10 years, for an additional fee. Contact MaxLite for details.

**ORDERING STRUCTURE**

WATTAGE (NOMINAL)	FAMILY	BASE	INSTALLATION POSITION	CCT
9= 9W	PL= Plug and Play	G24Q= G24q, 4-pin	H= Horizontal V= Vertical	CS= CCT Selectable 3000K, 3500K, 4000K

**STOCKED ITEMS**

ORDER CODES	MODEL NUMBER	DLC PRODUCT ID
104733	9PLG24QHCS	PLNZ03DV07B4
104734	9PLG24QVCS	PL68H7P1YE0Y

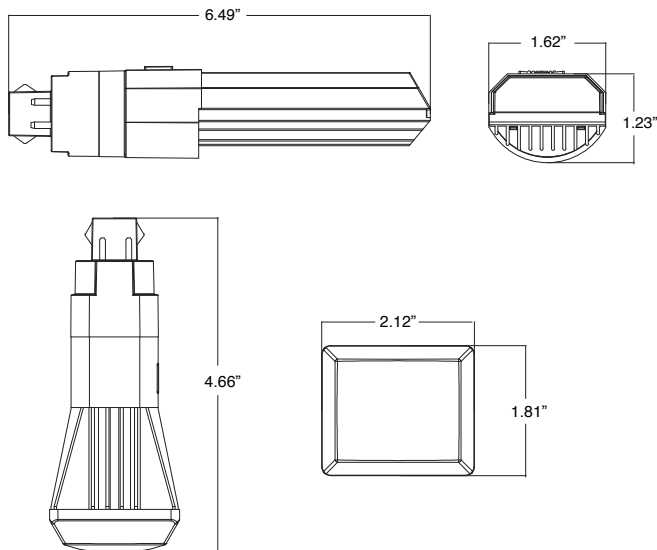
**COMPATIBLE DIMMERS**

DIMMER BRAND	MODELS
LUTRON	DVLV-600P, DVELV-303P, DV-600P, MACL-153M, SCL-153P, DVCL-153P, MAELV-600, CTCL-153PDH-WH, TGCL-153PH-WH, DVWCL-153PH-WH, DVCL-153PR

**SPECIFICATIONS**

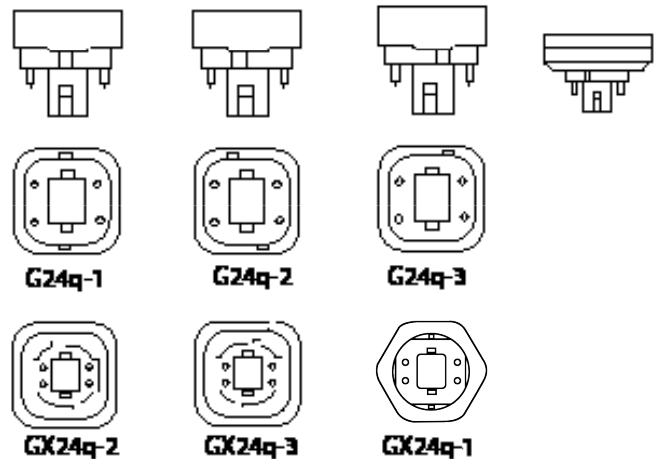
	9PLG24QHCS (HORIZONTAL)	9PLG24QVCS (VERTICAL)
	<b>DETAILS</b>	
Nominal Wattage (W)	9W	
Lumens Delivered (lm)	1,025/ 1,050/ 1,100 lm	
Efficacy (lm/W)	93/ 95/ 100 lm/w	
Beam Angle	140°	
CRI	≥80	
Color Temperature (K)	CCT Selectable 3000K, 3500K, 4000K	
L70 Lifetime (Hrs)	≥50,000 Hrs	
Voltage	120-277VAC	
Power Factor	≥0.90	
Operating Temperature	-4°F to 104°F (-20°C to 450°C)	
Listings	cULus, FCC	
Environment	UL rated Dry/Damp location	
Warranty	5 Years	
DesignLight Consortium	DLC 5.0 Standard	

**PRODUCT DIMENSIONS:**



**BASES:**

Our G24q base lamps will fit into the following sockets:



## ELECTRONIC BALLAST COMPATIBILITY LIST

Brand	BALLAST DESCRIPTION		1 LAMP LOAD INPUT VOLTAGE		2 LAMP LOAD INPUT VOLTAGE		REMARK	
	Part Number	# of Lamps	120V	277V	120V	277V	Dimming	Ballast Version
Keystone	KTEB-218-UV-RS-DW	2	GOOD	GOOD	GOOD	GOOD	/	/
	KTEB-218-UV-PS-DW	2	GOOD	GOOD	GOOD	GOOD	/	/
	KTEB-226-UV-PS-DW	2	BAD	BAD	GOOD	GOOD	/	/
	KTEB-242-UV-PS-DW	2	GOOD	GOOD	GOOD	GOOD	/	/
Advance	ICF-2S13-H1-LD	2	GOOD	GOOD	GOOD	GOOD	/	REV A
	ICF-2S18-H1-LD	2	GOOD	BAD	GOOD	GOOD	/	REV A/F
	ICF-2S26-H1-LD	2	GOOD	GOOD	GOOD	GOOD	/	REV B/E
	ICF-2S13-M1-BS	2	GOOD	BAD	GOOD	GOOD	/	REV A/F
	ICF-2S18-M1-BS	2	GOOD	BAD	GOOD	GOOD	/	REV A/D
	ICF-2S42-M2-LD	2	-	-	GOOD	BAD	/	REV B
	REZ-2Q26-M2-LD	2	-	-	GOOD	-	Dimming	REV C
	REZ-2T42-M3-BS	2	GOOD	-	GOOD	-	Dimming	REV D
	RMB-1P13-S1	1	GOOD	-	-	-	/	/
	VEZ-1T42-M2-LD	1	-	GOOD	-	-	Dimming	REV C
VEZ-2Q26-M2-LD	2	-	-	-	GOOD	Dimming	REV C	
Antron	CSD-UV18PS	2	GOOD	GOOD	GOOD	GOOD	/	/
	80204 DBC242MVRSN	2	GOOD	BAD	GOOD	BAD	/	/
Easeic	FL 2x18/100-277V TCD PRO	2	-	-	GOOD	GOOD	/	/
Fulham	WH2-120-C	2	GOOD	-	GOOD	-	/	/
	WH33-120-C	2	BAD	-	GOOD	-	/	/
	RHA-UNV-226-C	2	GOOD	GOOD	GOOD	GOOD	/	/
	RHA-UNV-242-C	2	GOOD	GOOD	GOOD	GOOD	/	/
	NPY-120-226-CFL	2	-	-	BAD	-	/	/
Fusion	FB218CFLMV	2	GOOD	GOOD	GOOD	GOOD	/	/
	FB226CFLMV	2	GOOD	GOOD	GOOD	GOOD	/	/
	FB242CFLMV	2	GOOD	GOOD	GOOD	GOOD	/	/
GE	GEC218-MVPS-3W	2	GOOD	GOOD	BAD	GOOD	/	/
	GEC226-MVPS-3W	2	GOOD	GOOD	GOOD	GOOD	/	/
	GEC242-MVPS-3W	2	GOOD	GOOD	GOOD	GOOD	/	/
Halco	EP2CF18PS/MV/DC/K	2	GOOD	GOOD	GOOD	GOOD	/	/
	EP2CF26PS/MV/DC/K	2	GOOD	GOOD	GOOD	GOOD	/	/
	EP2CF42PS/MV/DC/K	2	GOOD	GOOD	GOOD	GOOD	/	/
Howard	EP2/13CF/MV/K2	2	GOOD	GOOD	GOOD	GOOD	/	/
	EP2/18CF/MV/K2	2	GOOD	GOOD	GOOD	GOOD	/	/
	EP2/26CF/MV/K2	2	GOOD	GOOD	GOOD	GOOD	/	/

## ELECTRONIC BALLAST COMPATIBILITY LIST

Brand	BALLAST DESCRIPTION		1 LAMP LOAD INPUT VOLTAGE		2 LAMP LOAD INPUT VOLTAGE		REMARK	
	Part Number	# of Lamps	120V	277V	120V	277V	Dimming	Ballast Version
Lumapro	4KGJ7 EB-213PRS-U	2	GOOD	GOOD	GOOD	GOOD	/	/
	4KGJ8 EB-218PRS-U	2	GOOD	BAD	GOOD	GOOD	/	/
	16X954 CSD-UV18PBX	2	GOOD	GOOD	BAD	BAD	/	/
	16x959 CSD-UV18P/BMKIT	2	GOOD	GOOD	GOOD	GOOD	/	/
Osram	QTP 1/2x13CF/UNV DM	2	GOOD	GOOD	GOOD	GOOD	/	/
	QTP 1/2x18CF/UNV DM	2	GOOD	GOOD	GOOD	GOOD	/	/
	QTP 2x26CF/UNV DM	2	GOOD	GOOD	GOOD	GOOD	/	/
	QTP 2x26CF/UNV DM PEM	2	GOOD	GOOD	GOOD	GOOD	/	/
	QTP 2x26CF/UNV QS	2	BAD	GOOD	BAD	GOOD	/	/
Roberston	RED1L10-120	1	GOOD	-	-	-	/	/
	RSO126CQ120	1	GOOD	-	-	-	/	/
Satco	E2150-UV-S	2	GOOD	GOOD	GOOD	GOOD	/	/
Topaz	B2642UNV/ME-TPZ	2	-	-	GOOD	GOOD	/	/
Universal	C213UNVME	2	GOOD	GOOD	GOOD	GOOD	/	/
	C218UNVME	2	GOOD	GOOD	GOOD	GOOD	/	/

Brand	BALLAST DESCRIPTION		1 LAMP LOAD INPUT VOLTAGE		2 LAMP LOAD INPUT VOLTAGE		REMARK	
	Part Number	# of Lamps	277V	347V	277V	347V	Dimming	Ballast Version
Fusion	FB218347CFLE	2	-	GOOD	-	BAD	/	/
	FB226347CFLE	2	GOOD	GOOD	GOOD	GOOD	/	/
	FB242347CFLE	2	GOOD	GOOD	GOOD	GOOD	/	/
Standard	E2150-347S	2	GOOD	GOOD	GOOD	GOOD	/	/
	E22142-347-TDE FLX	2	-	GOOD	-	GOOD	/	/
	E22642-347-A-TDE-FLX	2	-	GOOD	-	GOOD	/	/
	E2642-347-A-TDE-FLX	2	-	GOOD	-	GOOD	/	/
Universal	C213/347ME	2	-	GOOD	-	GOOD	/	/
	C218/347ME	2	-	GOOD	-	GOOD	/	/
	C2642/347ME	2	-	GOOD	-	GOOD	/	/