

New Generation LED Wall Pack Light

DLC listed Model Numbers

4WP60L40(B,W,BK)1	4WP60L40(B,W,BK)1P	4WP60L40(B,W,BK)1DM
4WP60L45(B,W,BK)1	4WP60L45(B,W,BK)1P	4WP60L45(B,W,BK)1DM
4WP60L50(B,W,BK)1	4WP60L50(B,W,BK)1P	4WP60L50(B,W,BK)1DM
4WP60L40(B,W,BK)1D	4WP60L40(B,W,BK)1PD	4WP60L40(B,W,BK)1PDM
4WP60L45(B,W,BK)1D	4WP60L45(B,W,BK)1PD	4WP60L45(B,W,BK)1PDM
4WP60L50(B,W,BK)1D	4WP60L50(B,W,BK)1PD	4WP60L50(B,W,BK)1PDM



DESCRIPTION

New wall pack series is designed to be the best choice to replace 75~400W Metal Halide and High Pressure Sodium wall pack fixtures. Lifetime is more than 50,000 + hours and product is backed by a 6 years warranty.

The market-leading efficiency makes our product extremely energy-saving, E.G. our 40W is equivalent to others' 60W~75W, 60W is equivalent to others' 70~90W. This new Wall Pack is DLC listed, maximizing its eligibility for utility rebate programs and quicker ROI. It's ideal for outdoor environments in parking garages and entrances, public areas, schools, hospitals, hotels and outdoor walkways nationwide.

Various options are available, such as dimming, photocell, motion sensor, surge protection, Emergency battery backup unit, etc.

COMPLIANCE

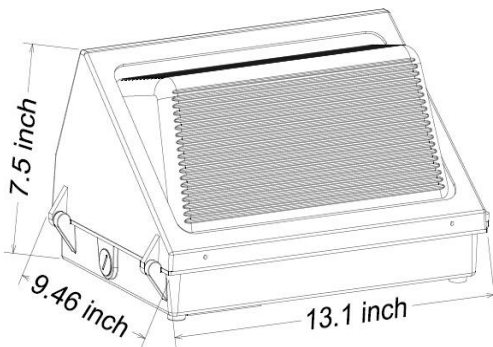
- DLC standard listed (E.G. 4WP60L50(B,W,BK)1)
- UL/CUL(E352762) listed
- LM79 / LM80 / IES available

FEATURES

- High output Nichia LEDs
- High quality Nichia chips deliver over 104 lumens(0-90°) per watt.
- UL/cULs high quality driver.
- UL 1598 listed for wet locations.
- NO extra cover or shield is needed for DLC.
- Unique Cover design : high quality uvioresistant PC cover, or glass cover are optional.
- High Power Factor >0.92.
- IP65, suitable for both indoor and outdoor area.
- Backed by 6 years warranty.
- Photocell, Motion sensor, dimming, Battery backup unit options.
- UL/cUL certificate (E352762), DLC listed (E.G. 4WP60L50(B,W,BK)1).

SENSOR

- **100~240VAC Photocell Sensor:** Applicable to control passage lighting and doorway lighting automatically in accordance with the ambient lighting level. Operating temperature of -40°C~+70°C.
- **Motion/Daylight Sensor:** 0-10V microwave-based motion sensor with integral photocontrol, allowing for three output states: 100%; 10/20/30/50% output; or 0% output. Detection area, hold time, daylight threshold, and dimming level all have DIP switches. Operating temperature of -20°C~+60°C.



New Generation LED Wall Pack Light

SPECIFICATIONS

Items	Details
Model No.	4WP60L40(B,W,BK)1
Input Power	60W
Input Voltage	AC 100-277V (50-60Hz)
Luminous Flux	7928.1 lm (131.6 lm/W) @4000K
0-90° Lumen:	6267 lm (104 lm/W)
LED Source	High Power Nichia LEDs
Color Temp.:	4000K / 4500K / 5000K
CRI	≥76.4
Driver	UL/CUL Listed Driver
Power Factor	>0.92
Fixture Material	Die-cast aluminium + PC lens
Housing Color	White/Black/Brown optional
IP Rating	IP65
Operating Temp	- 30°C to 45°C
Replacement	250W MH/HPS
Sensors	100~240V photocell sensor /120-277V motion sensor Optional
Dimension	13.1"L x 9.5"W x 7.5"H
Testing Reports	LM79, LM80, IES available
Warranty	6 years warranty
Qualifications	UL/CUL (E352762), DLC standard listed (E.G. 4WP60L40(B,W,BK)1)

Ordering Guide

EXAMPLE: 4WP60L40B1

Series	Watt	Input Voltage	Color temperature	Color for housing	Driver	Photocell Sensor (Optional)	Dimmable (Optional)	Motion sensor (Optional)	Emergency Function(Optional)
4WP=Wallpack	60=60W	L=100-277V	40=4000K 45=4500K 50=5000K	B=Bronze W=White BL=Black	1=UL Driver	P=Photocell sensor Blank=No Sensor	D=Dimmable Blank=Non Dimming	M=Motion sensor Blank=No Sensor	E=Emergency function Blank=Non Emergency

Noted:

Due to our continued efforts to improve our products, product specifications are subject to change without notice.