

# LED Barn Light

## DLC Model Numbers

- 4BL35L40[B,W,BK]1
- 4BL35L45[B,W,BK]1
- 4BL35L50[B,W,BK]1
- 4BL35L40[B,W,BK]1P
- 4BL35L45[B,W,BK]1P
- 4BL35L50[B,W,BK]1P

## DESCRIPTION

LED Barn Light utilizes prismatic lens replicating the form and function of 150 watt high-pressure sodium or 175-watt metal halide fixtures, while using only 35 watts and 45 watts. With high efficacy of up to 101 lm/W and 100,000+ hour L70 lifetime, the fixtures are perfect replacement for MH/HPS barn lights. The Barn Light operates at 120-277 volts, and can be mounted to walls or sealed junction boxes.

A twist-lock photocell is included for more energy saving and ease for maintenance. The fully gasketed design makes it ideal for outdoor lighting applications in areas that require a wide distribution of light including driveway, yards, properties and work areas.

## COMPLIANCE

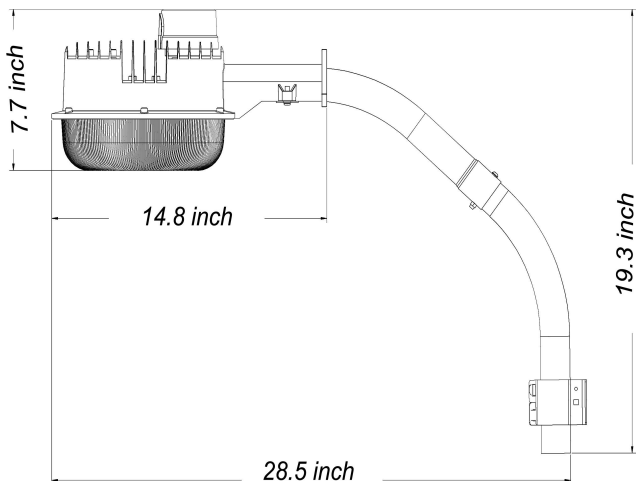
- DLC listed (DLC model: 4BL35L40[B,W,BK]1)
- UL/cUL(E352762) listed
- LM79 / LM80 / IES available
- CE RoHS available

## FEATURES

- High quality Nichia chips deliver over 101 lumens per watt
- UL/cULs high quality drivers
- High Power Factor >0.90
- UL 1598 listed for wet locations
- Impressive lumen output, 5281 LM replaces 175W MH while consuming only
- Sturdy Die-Cast Aluminum Housing
- IP65 rating with fully gasketed design, sealed against dust, moisture and insects
- Top quality with 6 years warranty
- Both wall and arm mount options, twist lock photocell are optional

## SENSOR

- **120VAC/100-277VAC twist-lock photocell sensor:** Applicable to control passage lighting and doorway lighting automatically in accordance with the ambient lighting level. Operating temperature of -40°C~+70°C.



# LED Barn Light

## SPECIFICATIONS

Items	Details
Model No.	4BL35L40[B,W,BK]1P
Input Power	35W
Input Voltage	AC 100-277V, 50~60Hz
Luminous Flux	3,467.9 lm @4000K
Efficiency	101.3 lm/W @4000K
LED Source	Nichia LED chips
Color Temp.:	4000K / 4500K / 5000K
CRI	≥73.2
View Angle	120°
Driver	UL/cUL driver
Power Factor	>0.8975
THD	<20.27%
Fixture Material	Die-cast aluminum + Prismatic lens
Fixture Surface	Powder coating appearance
IP Rating	IP65
Operating Temp	- 35°C to 55°C
Replacement	150W MH/HPS
Energy saving	60% ~ 80%
Sensors	120-277V photocell sensor
Dimension	14.8" L x 7.7" H
Testing Reports	LM79, LM80, IES available
Warranty	6 years warranty
Qualifications	UL/cUL (E352762), DLC Standard

## Ordering Guide

EXAMPLE: 4BL35L50B1P

Light type	Wattage	Voltage	CCT	Finish	Driver	Sensor
4BL=LED Barn Light	35=35W	L=100-277V H=347-480V	40=4000K 45=4500K 50=5000K	B=Bronze W=White BK=Black	1=UL/cUL driver 2=Meanwell driver	P=Photocell sensor Blank=Non dimmable

# LED Barn Light

## INSTALLATION

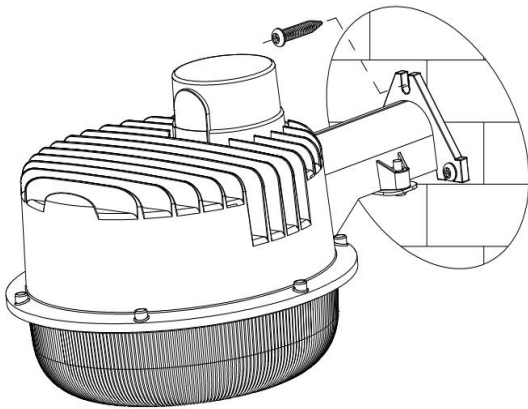
### IMPORTANT SAFEGUARDS

When using electrical equipment, basic safety precautions should always be followed including the following:

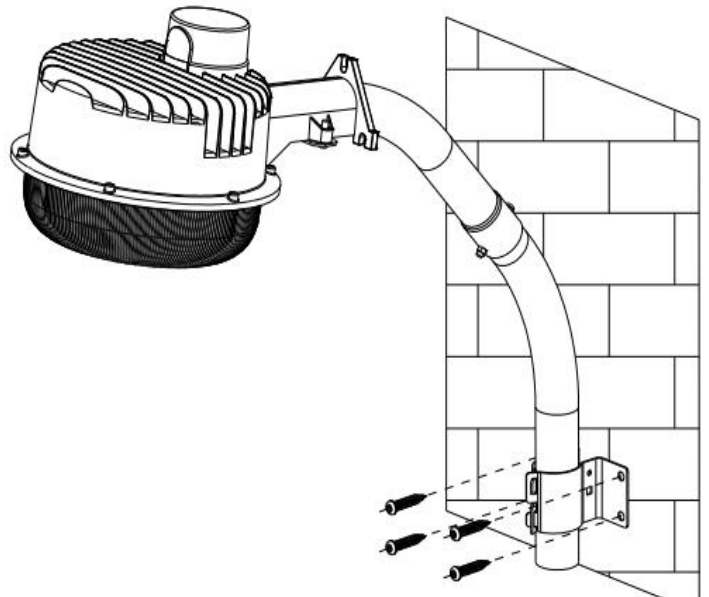
### PRIOR TO INSTALLATION

1. Turn off power supply to avoid the risk of electrical shock.
2. Proper grounding is required to ensure personal safety.
3. Make certain power is OFF before starting installation or maintenance.
4. Do not recess the fixture.
5. A qualified electrician should do all work.
6. DO NOT TOUCH THE LED CHIPS. DAMAGE MAY OCCUR.

## MOUNTING OPTIONS



1. Direct Mounting



2. ARM MOUNTING