

# Linear LED High Bay

## Model Numbers

2LHB80L50W3

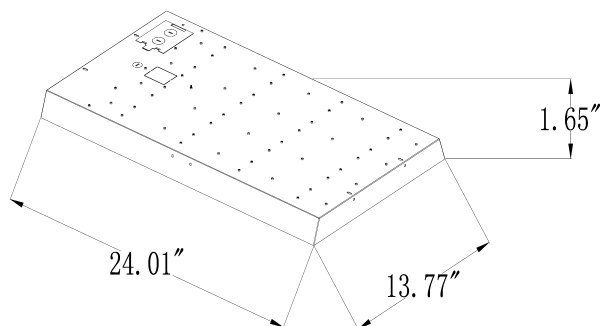
### DESCRIPTION

Linear LED High Bay is a perfect replacement of classic fluorescent high bay fixtures, with similar dimension and shape. The fixture utilizes an integrated sheet steel as heat sink, LED TC Temperature at 25C degree is less than 60C degree. LED driver is mounted in compartment isolated from the LED heat.

Two fixtures can be connected by bracket and wires as one unit, easy for inventory management. 0-10V dimming options. Using SEOUL's latest technology.

Various options are available, including motion sensor, photocell, dimming drivers, 347-480V volt, Aisle beam, 82deg beam, PC cover, wire guard, Chain mounts with V-clips, Cable hanging with V-clips, ceiling mount, pendant mount, etc.

Widely used for factory, warehouse, supermarket, shops, retail stores, etc.



### COMPLIANCE

- UL/cUL listed
- LM79 / LM80 / IES available
- CE RoHS available

### FEATURES

- High quality SEOUL chips.
- High quality UL/cUL drivers.
- Integrated sheet steel heat sink, LED TC<60°C (@ 25°C ambient).
- Various distribution options: 120° & 82° & Aisle beam.
- 0-10V dimming.
- Dimming Motion sensor and photocell optional.
- Frosted and clear cover optional.
- Chain mounts with V-clips, Cable hanging with V-clips, Pendant mount, Ceiling mount optional.
- Wire guard optional.
- Emergency battery backup unit available.
- Top quality with 5 years warranty.

### SENSOR

• 120VAC/100-277VAC Photocell Sensor: Applicable to control passage lighting and doorway lighting automatically in accordance with the ambient lighting level. Operating temperature of -40°C ~+70°C.

• Motion/Daylight Sensor: 0-10V microwave-based motion sensor with integral photocontrol, allowing for three output states: 100%; 10/20/30/50% output; or 0% output. Detection area, hold time, daylight threshold, and dimming level all have DIP switches. Operating temperature of -40°C ~+70°C.



# Linear LED High Bay

## SPECIFICATIONS

Items	Details
Model No.	2LHB80L50W3
Input Power	80W
Input Voltage	AC100~277V, 50~60Hz
Luminous Flux	10062 lm
Efficiency	129 lm/W
LED Source	SEOUL
Color Temp.:	4000K/4500K/5000K
CRI	≥73
Beam Angle	120deg / 82*82 deg (Medium lens) / 40*120 deg (Aisle lens)
Driver	UL/cUL driver
Power Factor	>0.9
THD	≤20%
Fixture Material	Post painted Steel Housing
Housing Color	White
Operating Temp	- 25°C to 40°C
Replacement	150~200W MH/HPS
Dimmer	0-10V dimming
PC cover	Frosted or clear cover optional
Sensors	Photocell/Motion sensor available
Emergency battery backup unit	Available
Dimension	24.01" L x 13.77" W x 1.65" H
Weight	4KG
Testing Reports	LM79, LM80, IES available
Warranty	5 years warranty
Qualifications	UL/cUL

## Ordering Guide

Series	Watt	Input Voltage	Color temperature	Color for housing	Driver	Option 1	Option 2	Option 3
2LHB=Linear high bay	80=80W	L=100-277V H=347-480V	40=4000K 45=4500K 50=5000K	B=Bronze W=White BK=Black	1=YG driver 2=Meanwell driver 3=LF driver 4=SS driver 5=WP driver	P=Photocell Sensor Blank=Non - Sensor	D=0-10V dimming Blank=Non-Dimmable	M=Motion Sensor Blank=Non - Sensor
Option 4	Option 5	Option 6	Option 7					
E=Emergency battery backup unit Blank=Non	A=Aisle lens M=Medium lens Blank=Non	F=Frosted cover C=Clear cover	WG=Wire guard Blank=Non - Wire guard					

For example, 2LHB80L50W3 refers to 80W Linear high bay,100-277V, 5000K, White color, UL LF driver

2LHB80L50W3PDMF refers to 80W Linear high bay,100-277V, 5000K, White color, UL LF driver, Photocell sensor, 0-10V dimming, Motion sensor, Frosted cover

# Linear LED High Bay

## INSTALLATION

### IMPORTANT SAFEGUARDS

When using electrical equipment, basic safety precautions should always be followed including the following:

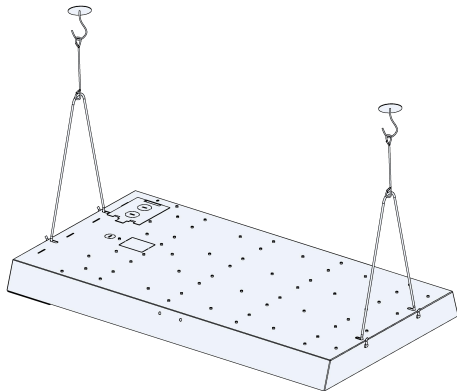
### PRIOR TO INSTALLATION

1. Turn off power supply to avoid the risk of electrical shock.
2. Proper grounding is required to ensure personal safety.
3. Make certain power is OFF before starting installation or maintenance.
4. Do not recess the fixture.
5. A qualified electrician should do all work.
6. DO NOT TOUCH THE LED CHIPS. DAMAGE MAY OCCUR.

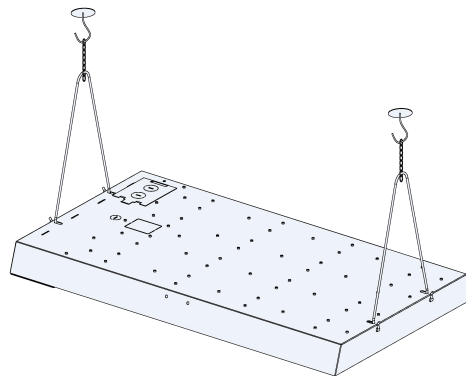
## MOUNTING OPTIONS

### 1. Hook Mount:

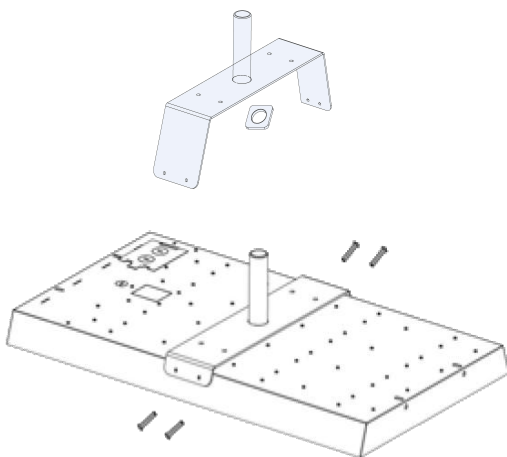
V brackets + Steel wires



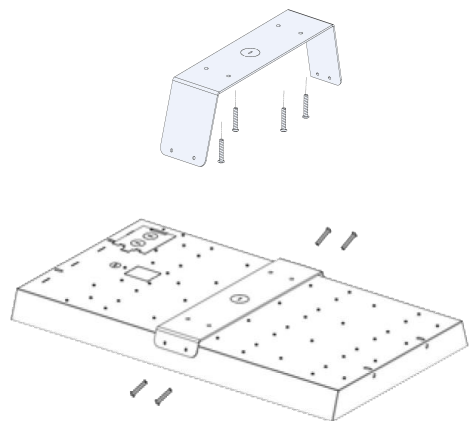
V brackets + Chain



### 2. Pendant Mount:



### 3. Ceiling Mount:



NOTES: There will be installation instruction in the packing box, also, you can contact GI to learn more.