

Linear LED High Bay

DLC Model Numbers

2LHB150L40[B,W,BK]3[E,Blank]F
 2LHB150L45[B,W,BK]3[E,Blank]F
 2LHB150L50[B,W,BK]3[E,Blank]F



DESCRIPTION

Linear LED High Bay is a perfect replacement of classic fluorescent high bay fixtures, with similar dimension and shape. The fixture utilizes an integrated sheet steel as heat sink, LED TC Temperature at 25C degree is less than 60C degree. LED driver is mounted in compartment isolated from the LED heat.

Two fixtures can be connected by bracket and wires as one unit, easy for inventory management. 0-10V dimming options. Using SEOUL's latest technology.

Various options are available, including motion sensor, photocell, dimming drivers, 347-480V volt, Aisle beam, 82deg beam, PC cover, wire guard, Chain mounts with V-clips, Cable hanging with V-clips, ceiling mount, pendant mount, etc.

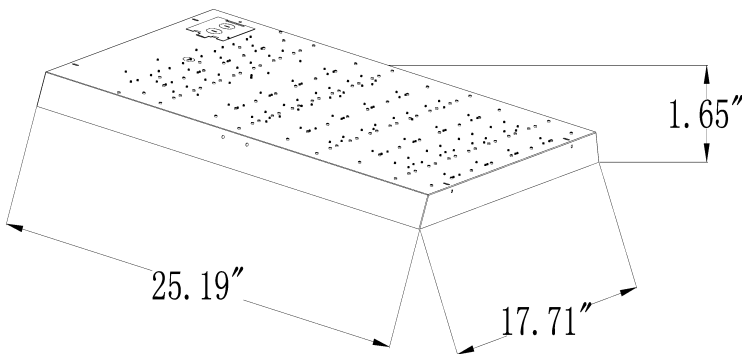
Widely used for factory, warehouse, supermarket, shops, retail stores, etc.

COMPLIANCE

- UL/cUL listed
- LM79 / LM80 / IES available
- CE RoHS available

FEATURES

- High quality SEOUL chips.
- High quality UL/cUL drivers.
- Integrated sheet steel heat sink, LED TC<60°C (@ 25°C ambient).
- Various distribution options: 120° & 82° & Aisle beam.
- 0-10V dimming.
- Dimming Motion sensor and photocell optional.
- Frosted and clear cover optional.
- Chain mounts with V-clips, Cable hanging with V-clips, Pendant mount, Ceiling mount optional.
- Wire guard optional.
- Emergency battery backup unit available.
- Top quality with 5 years warranty.



SENSOR

- 120VAC/100-277VAC Photocell Sensor: Applicable to control passage lighting and doorway lighting automatically in accordance with the ambient lighting level. Operating temperature of -40°C~+70°C.
- Motion/Daylight Sensor: 0-10V microwave-based motion sensor with integral photocontrol, allowing for three output states: 100%; 10/20/30/50% output; or 0% output. Detection area, hold time, daylight threshold, and dimming level all have DIP switches. Operating temperature of -40°C~+70°C.



Linear LED High Bay

SPECIFICATIONS

Items	Details
Model No.	2LHB150L50[B,W,BK]3[E, Blank]F
Input Power	150W
Input Voltage	AC100~277V , 50~60Hz
Luminous Flux	18162 lm
Efficiency	130.2 lm/W (@5000K, Frosted)
LED Source	SEOUL
Color Temp.:	4000K/4500K/5000K
CRI	≥70
Beam Angle	120 deg / 82*82 deg (Medium lens) / 40*120 deg (Aisle lens)
Driver	UL driver
Power Factor	>0.9
THD	≤12%
Fixture Material	Post painted Steel Housing
Housing Color	White
Operating Temp	- 25°C to 40°C
Replacement	300~350W MH/HPS
PC cover	Frosted or clear cover optional
Dimmer	0-10V dimming
Sensors	Photocell/Motion sensor available
Emergency battery backup unit	Available
Dimension	25.19" L x 17.71" W x 1.65" H
Weight	5.2KG
Testing Reports	LM79, LM80, IES available
Warranty	5 years warranty
Qualifications	UL/cUL, DLC Premium

Ordering Guide

Series	Watt	Input Voltage	Color temperature	Color for housing	Driver	Option 1	Option 2	Option 3
2LHB=Linear high bay	150=150W	L=100-277V H=347-480V	40=4000K 45=4500K 50=5000K	B=Bronze W=White BK=Black	1=YG driver 2=Meanwell driver 3=LF driver 4=SS driver 5=WP driver	P=Photocell Sensor Blank=Non-Sensor	D=0-10V dimming Blank=Non-Dimmable	M=Motion Sensor Blank=Non-Sensor
Option 4	Option 5		Option 6		Option 7			
E=Emergency battery backup unit Blank=Non	A=Aisle lens M=Medium lens Blank=Non		F=Frosted cover C=Clear cover		WG=Wire guard Blank=Non-Wire guard			

For example, 2LHB150L50W3 refers to 150W Linear high bay,100-277V, 5000K, White color, UL LF driver

2LHB150L50W3PDMEF refers to 150W Linear high bay,100-277V, 5000K, White color, UL LF driver, Photocell sensor, 0-10V dimming, Motion sensor, Emergency battery backup unit, Frosted cover

Linear LED High Bay

INSTALLATION

IMPORTANT SAFEGUARDS

When using electrical equipment, basic safety precautions should always be followed including the following:

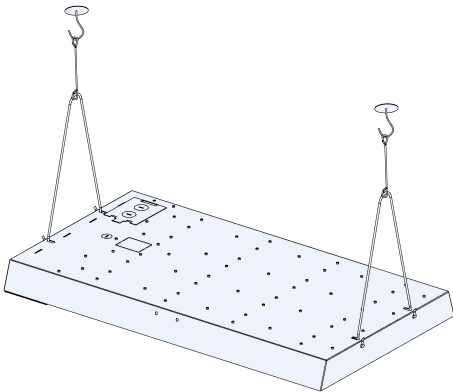
PRIOR TO INSTALLATION

1. Turn off power supply to avoid the risk of electrical shock.
2. Proper grounding is required to ensure personal safety.
3. Make certain power is OFF before starting installation or maintenance.
4. Do not recess the fixture.
5. A qualified electrician should do all work.
6. DO NOT TOUCH THE LED CHIPS. DAMAGE MAY OCCUR.

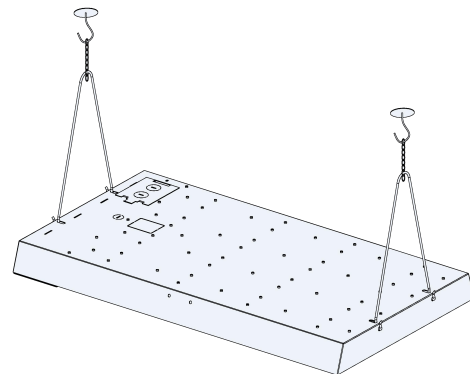
MOUNTING OPTIONS

1. Hook Mount:

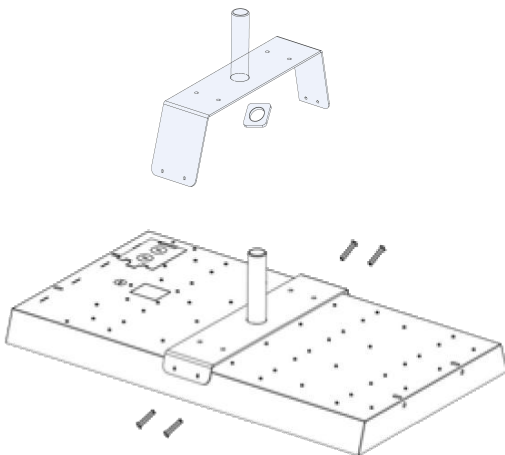
V brackets + Steel wires



V brackets + Chain



2. Pendant Mount:



3. Ceiling Mount:

