

PRODUCT DESCRIPTION:

Energy-saving lamps and lanterns, high lumen, perfect color temperature and high CRI characteristics.

Application:

Office, School, Retail, Medical

Hospitality and many other interior applications

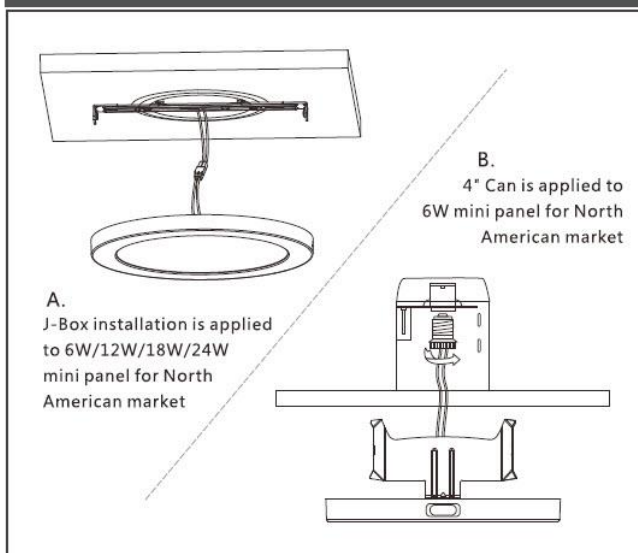
FEATURES:

- Latest LED lighting technology offers the highest return on initial investment;
- Saving more than 75% energy compared with traditional grid fixtures;
- Perfect Light Uniformity, up to 90 LM/W
- Triac dimmable driver
- Limited 5-Year Warranty

DIMENSIONS:



INSTALLATION METHOD



LED ROUND PANEL 12" 24W Spec

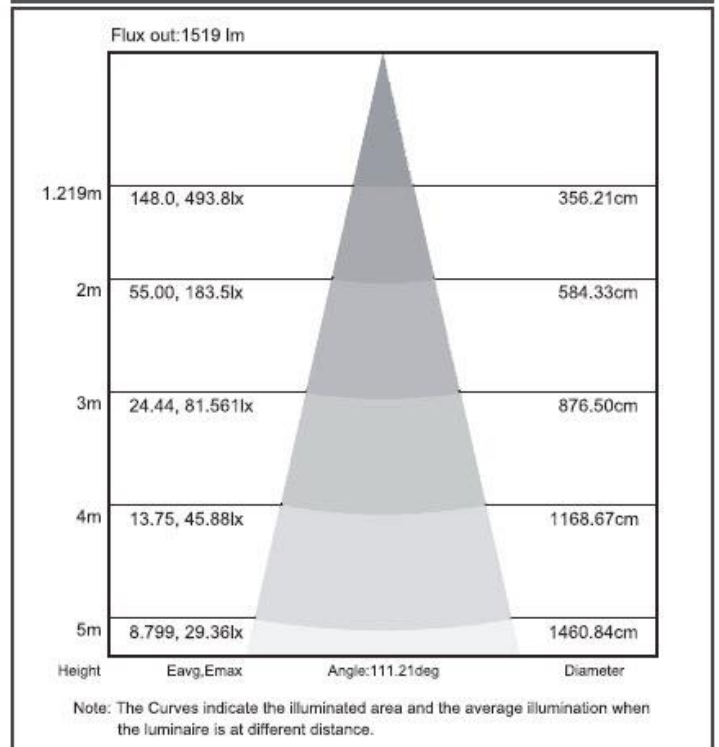
LOD-12RPL-24W30K

LOD-12RPL-24W40K

LOD-12RPL-24W50K



AVERAGE AND CENTER E FIGURE



SPECIFICATIONS:

SPECIFICATION	Details		Details	
Model	LOD-12RPL-24W30K	LOD-12RPL-24W40K	LOD-12RPL-24W50K	
Input Wattage (W)	24W			
Lumens Delivered (LM)	1,550LM			
Efficacy (LM/W)	85LM/W			
CRI	≥80			
Lifespan	50,000 hours			
Color Temperature	3,000K	4,000K	5,000K	
Wattage Equivalent	100W – 120W			
Dimmable	Triac			
Input Voltage	AC100-130V			
Power Factor	>0.9			
Housing	Aluminum Alloy + PC shell			
Lens	Frosted			
Mounting	Recessed ceiling mount			
Weight (LBS)				
Certification	ES, ETL, FCC, TUV, RoHS, ISO9001			
Operating Temperature	-20-50 °C			
Environment	N/A			
Warranty	5 years			

3000K is a special-order request

CONTROLS:

Triac dimming system

